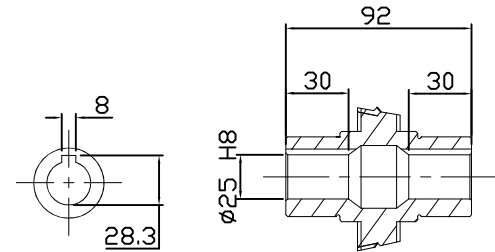
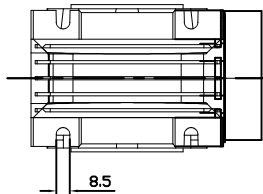
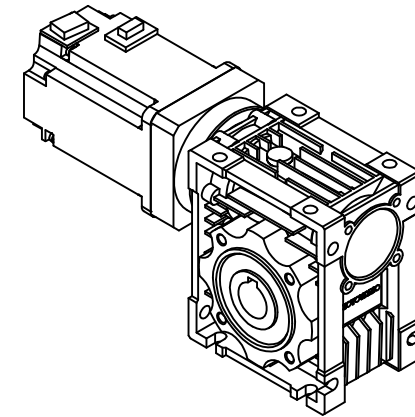
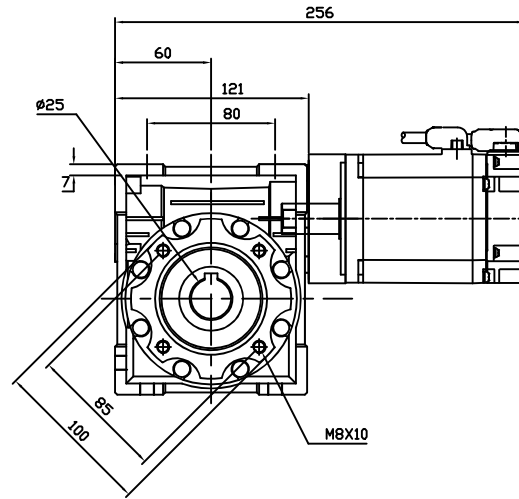
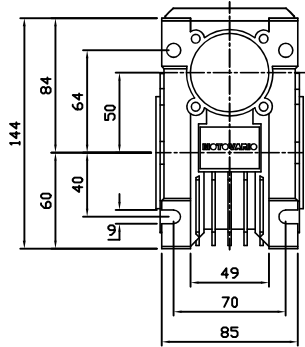


REDUCER SPEC	
MODEL	NMRV 050
SERVICE FACTOR	2.9
RATIO	7.5
OUTPUT [rpm]	400
OUTPUT TORQUE [Nm]	14.7
BACKLASH [arc-m]	18' - 32'
WEIGHT [kg]	3.5
MOTOR SPEC	
MODEL	HG-KR73
POWER [kW]	0.7
INPUT [rpm]	3000
WEIGHT [kg]	2.8



OUTPUT HOLLOW SHAFT

한국 (주)한국체인모터

Tel. 032-815-8888 Fax. 815-8020
www.hcmfa.com

PROJECT		MOTOVARIO					
DRAWN	SEO Y.S	DATE		REV	A	SCALE	1:1
CHECKED	KIM J.S	DATE		UNIT	MM	PAGE	-
APPROVED	LEE J.Y	DATE					