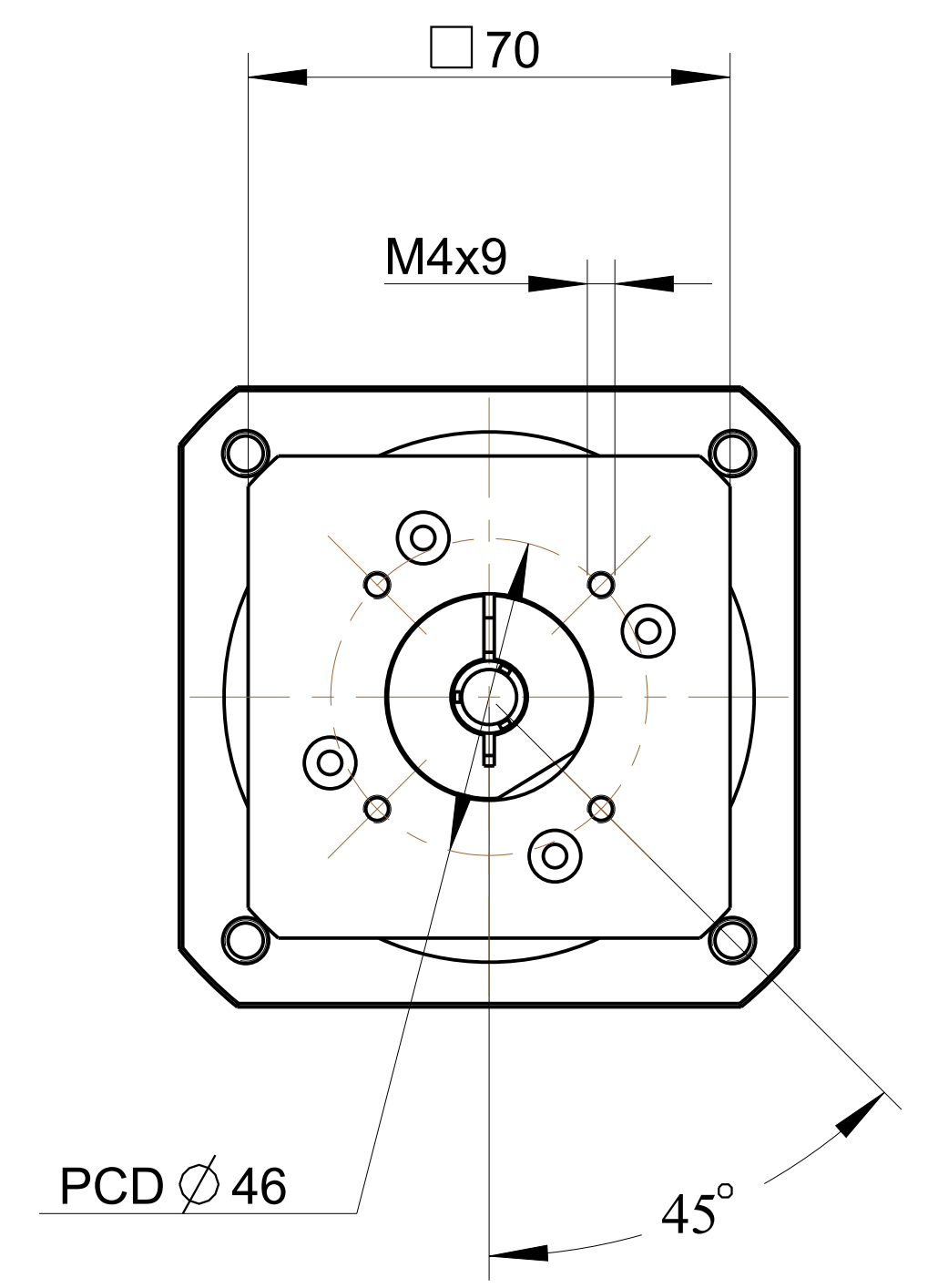
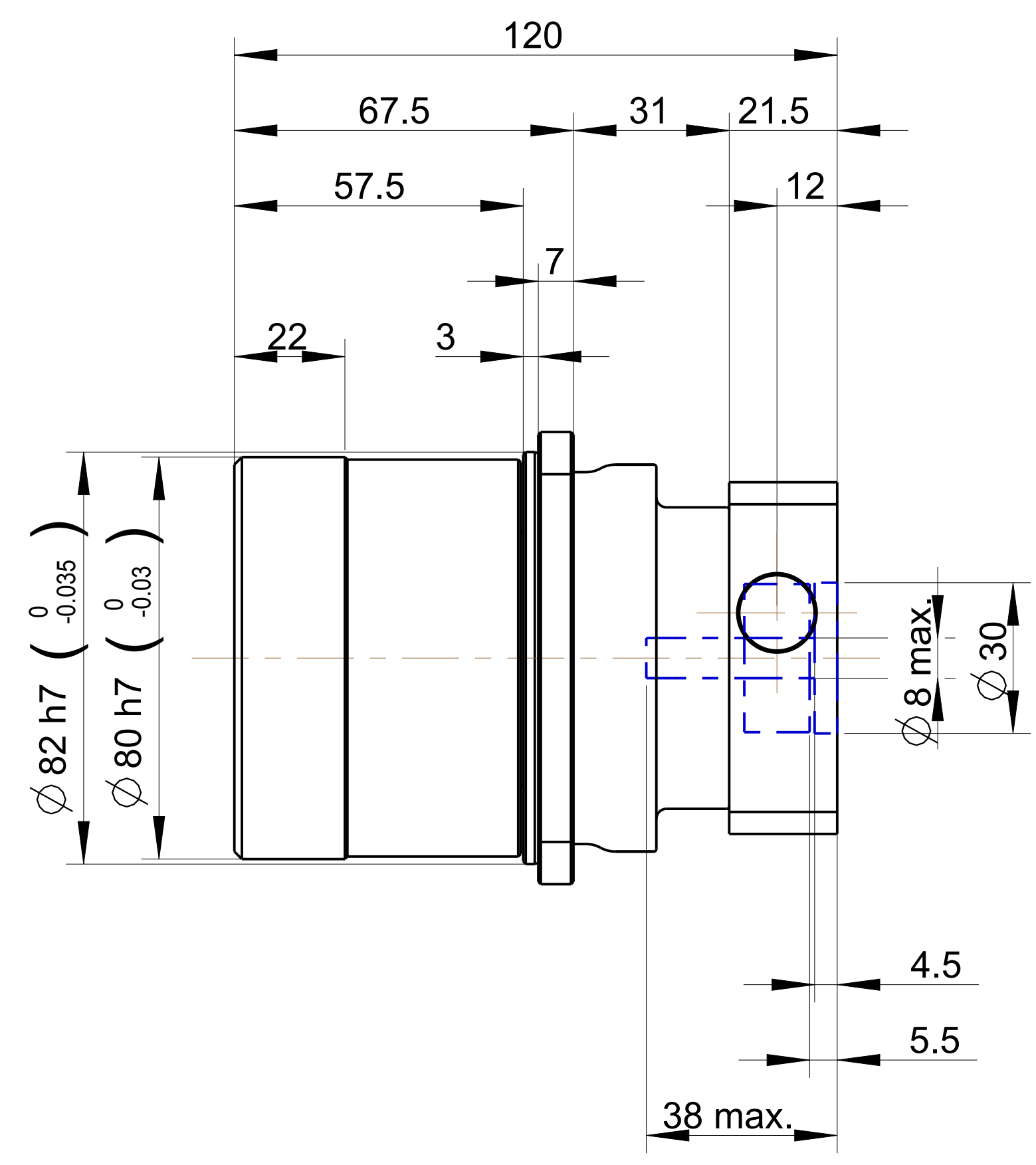
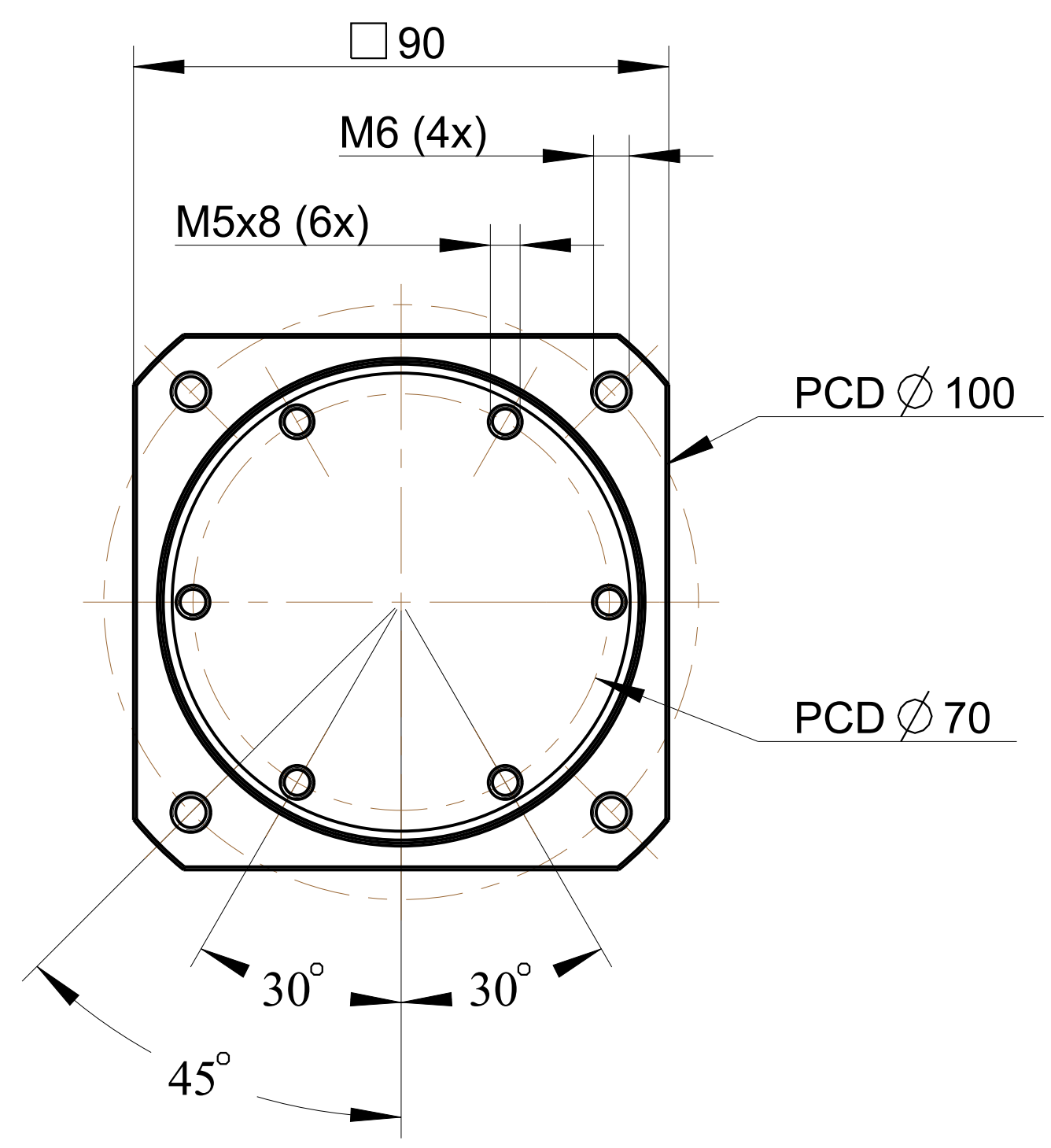
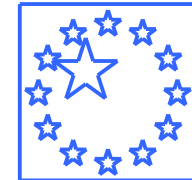


CL082-010 / MITSUBISHI HG-FR13



PART NO. GL082_2ST_8-P0409101803 AD-AD2-S8-M70-3		 <b>APEX DYNAMICS, INC.</b>		
APPROVALS	DATE	TITLE GL082_2 STAGE_8 AND MOTOR FLANGE MOUNTING		
DRAWN		DWG NO. GL082_2ST_8-P0409101803		
CHECKED		SIZE A1	SCALE 1:1	REV
APPROVED		