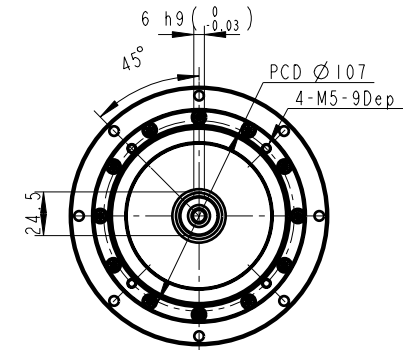
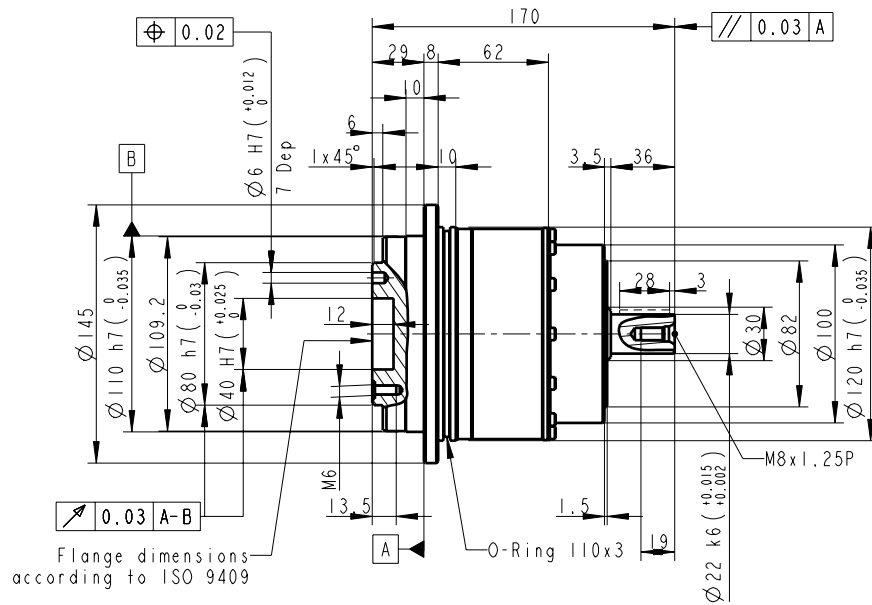
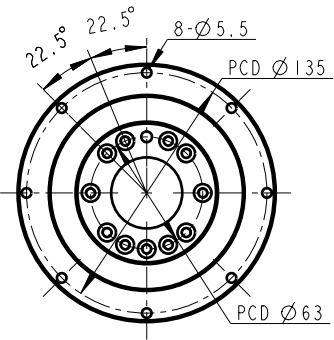




ADS110 - 004 - S2 - P2 / MITSUBISHI HG-SR702



INERTIA: 3.45 ~ 3.65 kg-cm²
 MASS: 6.7 kg

MICRO BACKLASH: 1 arcmin
 REDUCED BACKLASH: 3 arcmin
 STANDARD BACKLASH: 5 arcmin

PART NO. ADS110-1				
APPROVALS	DATE	TITLE ADS110 Reducer 1 Stage, Ratio=4~10		
DRAWN Poppy	21-Feb-08	DWG NO. ADS110-1		
CHECKED			SIZE A0	SCALE 1:1
APPROVED			REV 1.0	