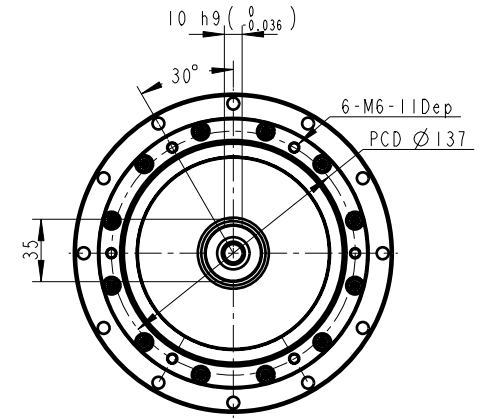
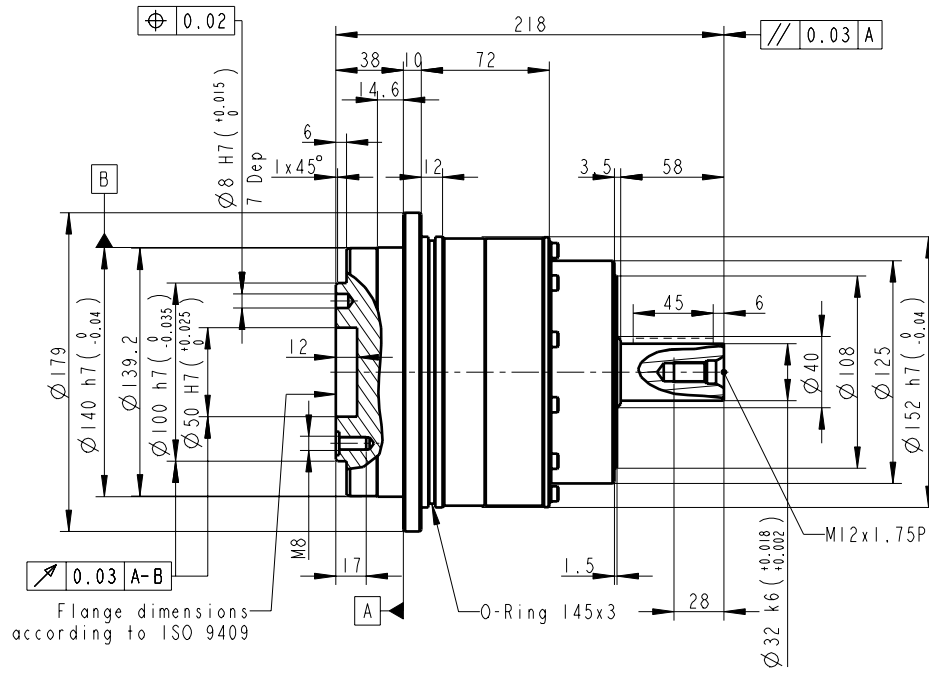
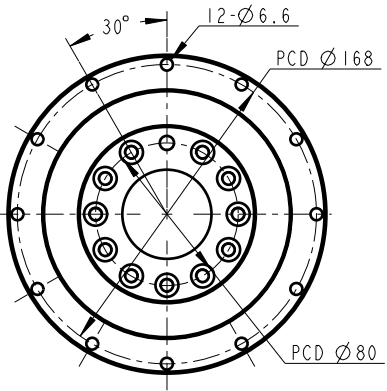




ADS140 - 004 - S2 - P2 / MITSUBISHI HG-SR352



INERTIA: 9.93 ~ 10.27 kg-cm²
MASS: 13.5 kg

MICRO BACKLASH: 1 arcmin
REDUCED BACKLASH: 3 arcmin
STANDARD BACKLASH: 5 arcmin

PART NO. ADS140-1				
APPROVALS	DATE	TITLE ADS140 Reducer 1 Stage, Ratio=4-10		
DRAWN Poppy	21-Feb-08	DWG NO. ADS140-1		
CHECKED			SIZE A0	SCALE 1:1
APPROVED			REV 1.0	