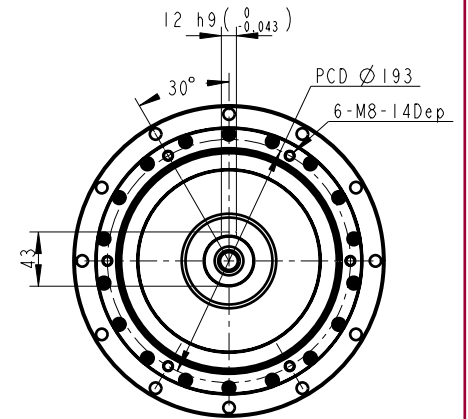
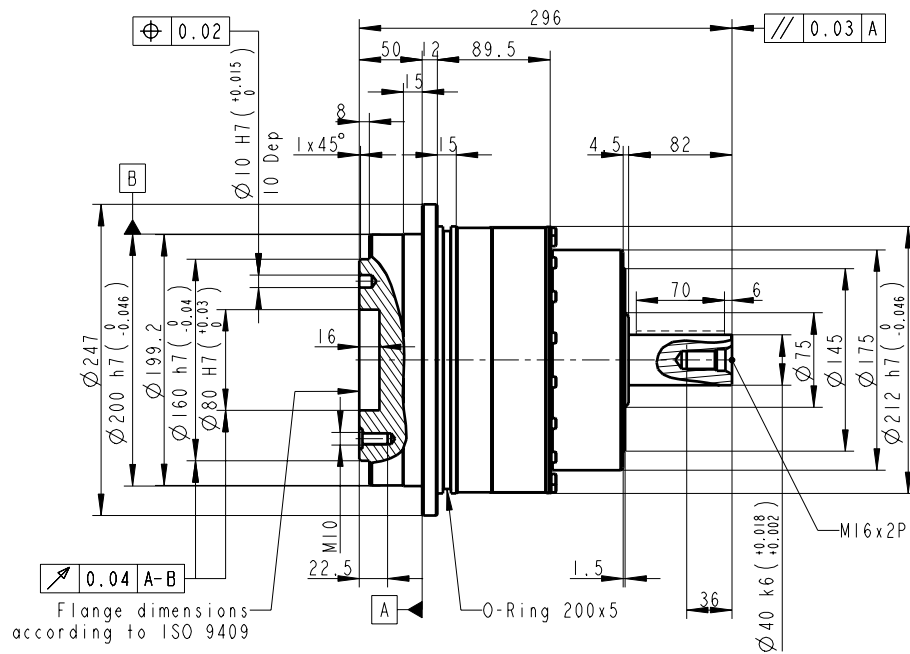
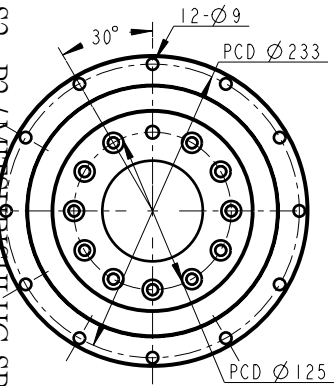





ADS200 - 004 - S2 - P2 / MITSUBISHI HG-SR202



Flange dimensions according to ISO 9409

INERTIA: 40.97~ 43.05 kg-cm²
 MASS: 35 kg

MICRO BACKLASH: 1 arcmin
 REDUCED BACKLASH: 3 arcmin
 STANDARD BACKLASH: 5 arcmin

PART NO. ADS200-1				
APPROVALS	DATE	TITLE ADS200 Reducer 1 Stage, Ratio=4~10		
DRAWN Poppy	21-Feb-08	DWG NO. ADS200-1		
CHECKED		 		
APPROVED		SIZE 2A0	SCALE 1:1	REV 1.0