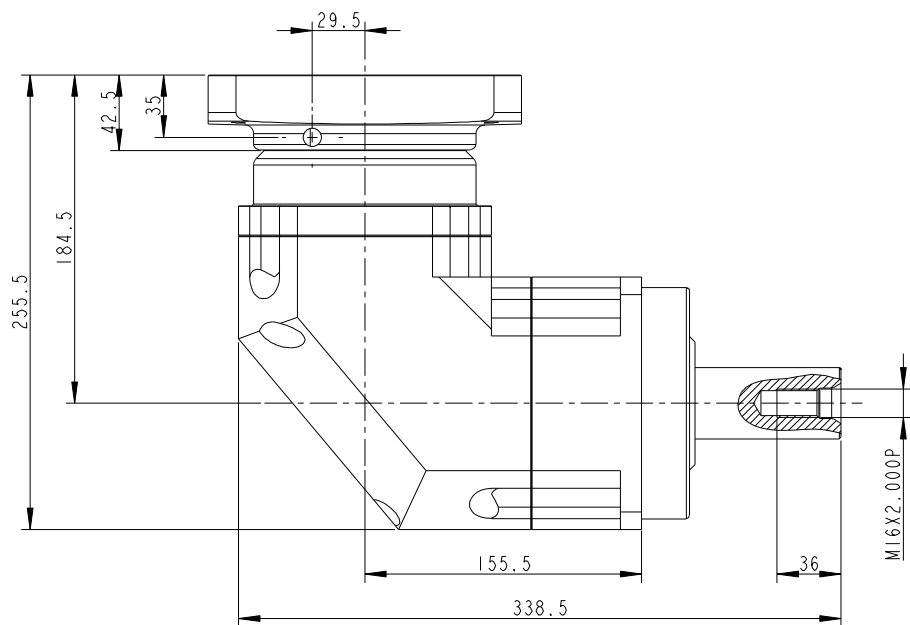
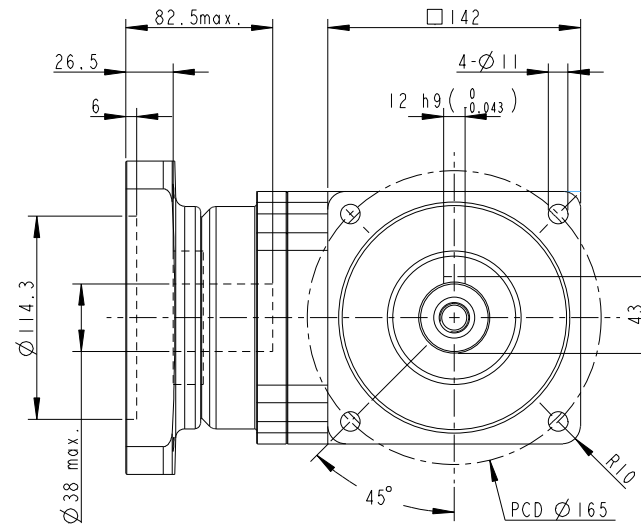
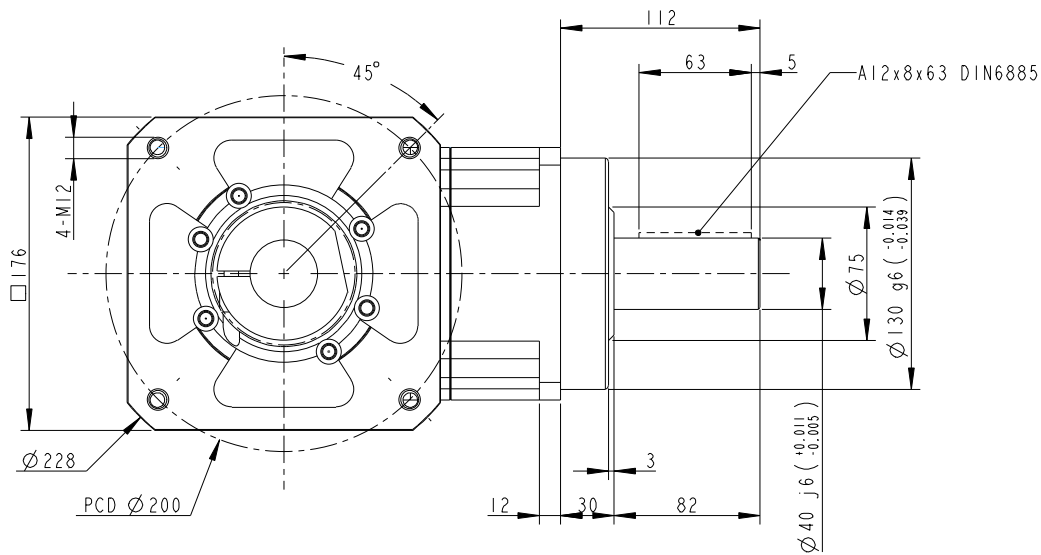


AFR140 - 003 - S2 - P2 / MITSUBISHI HG-SR352





INERTIA: 21.8~23.4kg-cm²
 MASS: 23.7kg

SHAFT OPTION S1: SMOOTH OUTPUT SHAFT(STANDARD)
 SHAFT OPTION S2: OUTPUT SHAFT WITH KEYWAY
 MICRO BACKLASH<= 2arcmin
 REDUCED BACKLASH<= 4arcmin
 STANDARD BACKLASH<= 6arcmin

***BUSHING SUPPLIED WHEN MOTOR SHAFT DIAMETER SMALL THAN $\varnothing 38$

Old Part No. AFR140I-P4151101

| | | | |
|---|------|--|--------------|
| PART NO. AFR140I-P0403500801 AFR140-I, AD-P140-M176-I | |  APEX DYNAMICS, INC. | |
| APPROVALS | DATE | | |
| DRAWN 江淑惠 | | DWG NO. AFR140I-P0403500801 | |
| CHECKED | | SIZE A0 | SCALE 1:1 |
| APPROVED | |  | REV |