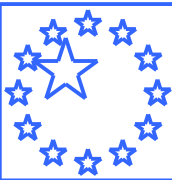


AF060-003-S2-P2 / MITSUBISHI HG-KR13

PART NO. AF0601-P0403202201 AD-P64-M58-1		 APEX DYNAMICS, INC.		
APPROVALS	DATE	TITLE AF060 1 STAGE AND MOTOR FLANGE MOUNTING		
DRAWN		DWG NO. AF0601-P0403202201		
CHECKED		SIZE A1	SCALE 1:1	REV
APPROVED		