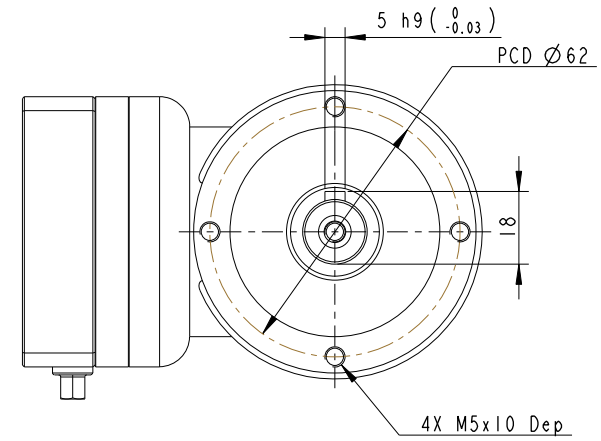
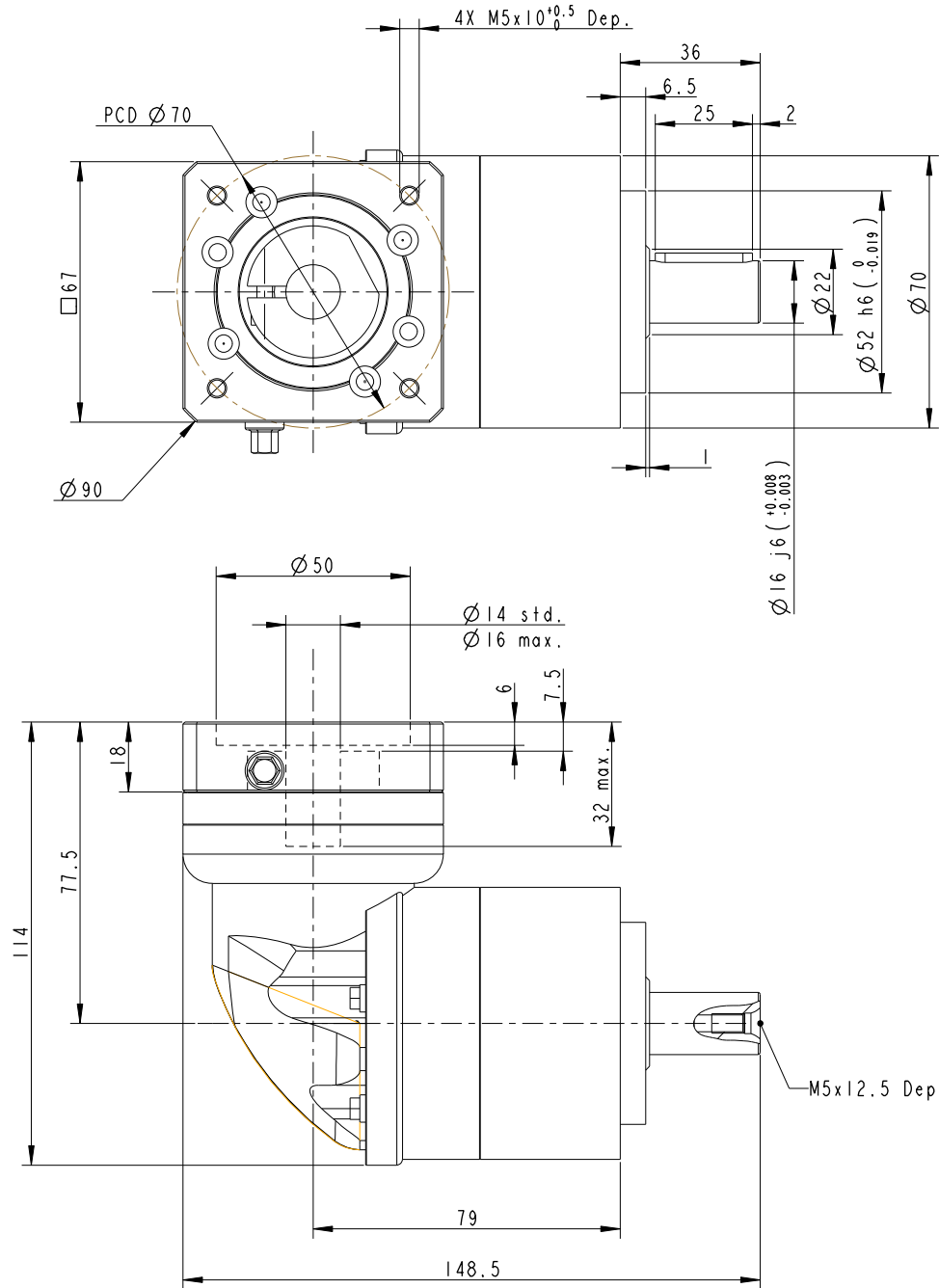



AER070S - 003 / MITSUBISHI HG-KR23



PART NO. AER070S1-P0413200604 AER070S-1, AD-P64-M67-4		 <b>APEX DYNAMICS, INC.</b>		
APPROVALS	DATE	TITLE AER-070S 1 Stage, Ratio=3-20 AND MOTOR FLANGE MOUNTING		
DRAWN 林家民		DWG NO. AER070S1-P0413200604		
CHECKED		SIZE A3	SCALE 4:5	REV 1.0
APPROVED		