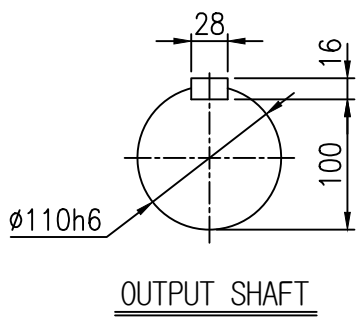
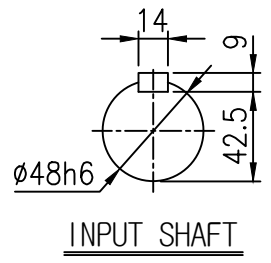
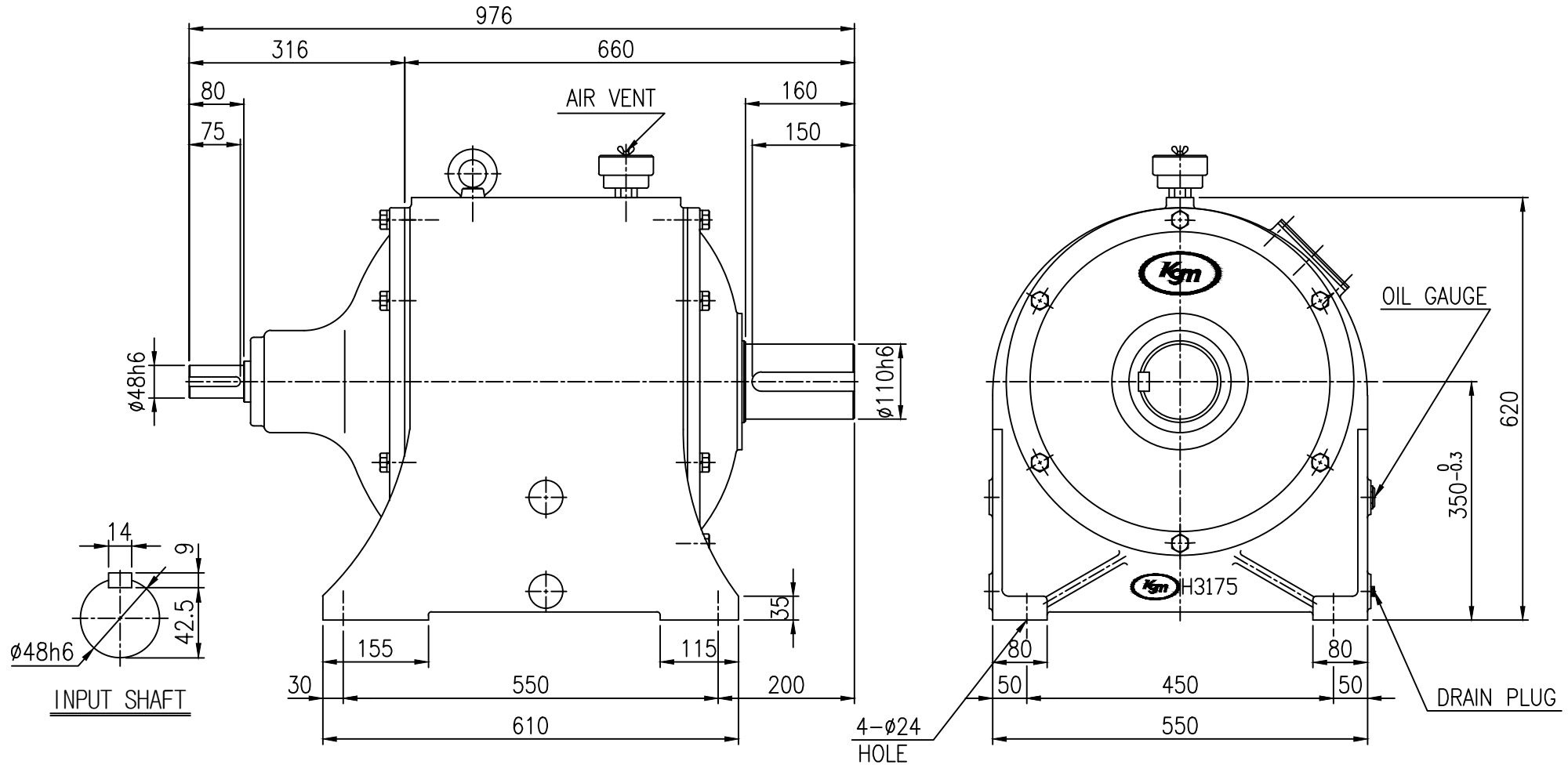


NO.	REVISION	DATE	DESIGNED	CHECKED	APPROVED
△					
△					



KD-HL H3503	CAPACITY(Kw)	22kw4P			15kw6P		
	REDUCTION RATIO	1/40	1/50	1/60	1/40	1/50	1/60
	OUTPUT R.P.M	45	36	30	30	24	20
	WEIGHT (Kg)	480					

TOOTH CHAMFERING	MODULE			ISIE	ISIE	표기외 일반 공차
	5	5-15	15			
HQ. T	C1	0.2	0.5	1.0		각도 : ±0.2°
	C2	1.0	1.5	2.0		CHAMFER: C1.0
HC & HQ. I	C1	0.5	1.0	2.0		FILLET: R1.0
	C2	2.0	3.0	5.0		마무리: ▽
						1000 이상 : ±0.5

OUT LINE DWG						
No.	DESCRIPTION	SPECIFICATION	MAT'L	Q'TY	W/T	REMARK
TITLE SPEC.	KD-HL LINE POWER 22KW 4P I=1/40~1/60		CUSTOMER KD-HL H3503 STANDARD TYPE			
DESIGN	YHH	DATE	2018.09.10	PROJECTION		
CHECKED		REF. No.	KD-HL H3503		REV	△
APPROVED		DRAWING No.	KDHL-H3503-30-40-60-0D			

- M5*0.8
- M6* 1
- M8*1.25
- M10*1.5
- M12*1.75
- M16* 2
- M18*2.5
- M20*2.5
- M22*2.5
- M24*3