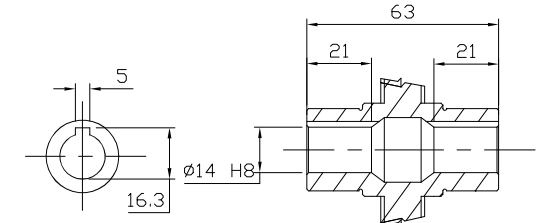
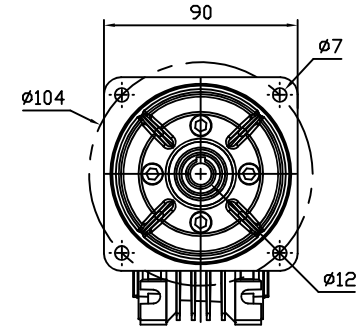
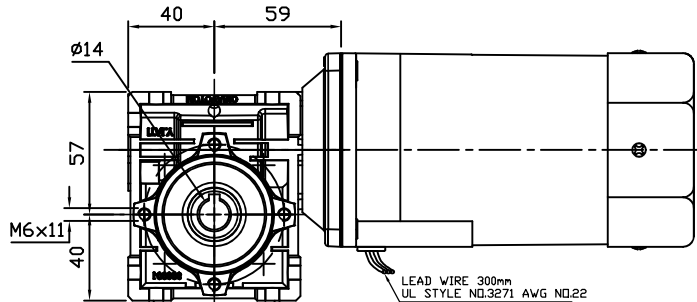
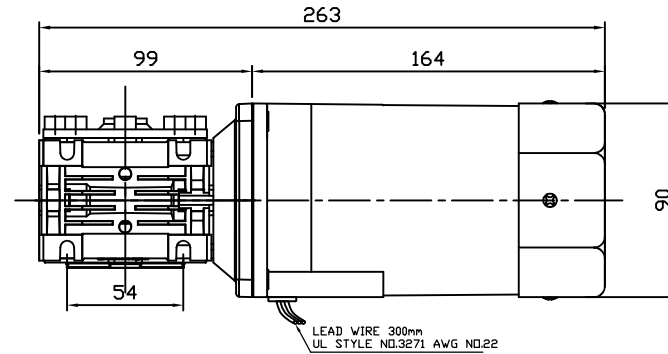
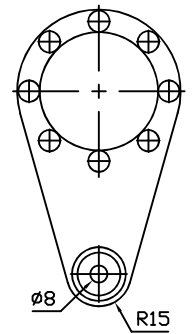
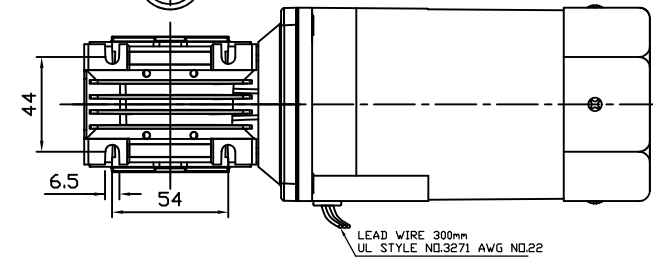
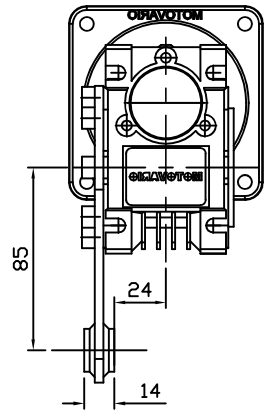


NO	DESCRIPTION	MATERIAL	SIZE, DWG. NO	Q'TY	WT. (KG)		REMARK
					UNIT	TOTAL	



OUTPUT HOLLOW SHAFT



(주)한국체인모터
Tel. 032-810-0702 Fax. 815-8123

CUSTOMER APPROVE		AMEND		PROJECT			MOTOVARIO		
MECHANICAL	ELECTRICAL	△		MODEL			NMRV030_90각 200W DKM 인덕션		
		△		MODEL NUMBER			NMRV 030 90각 + 9IDK□-200F (5~80:1)		
		△		DRAWN	LEE M.P	DATE	REV	A	SCALE NONE
		△		CHECKED	KIM J.S	DATE	UNIT	MM	PAGE -
		NO	CONTENT	DATE	APPROVED	LEE J.Y	DATE		