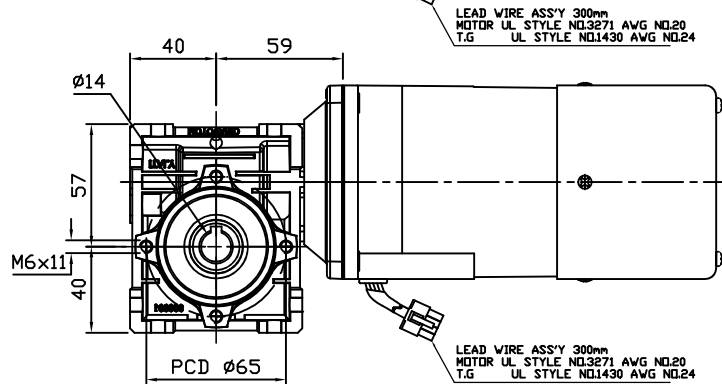
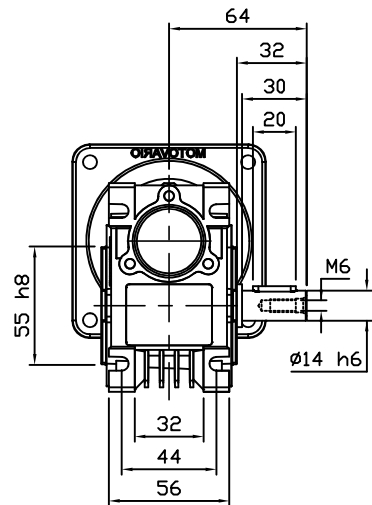
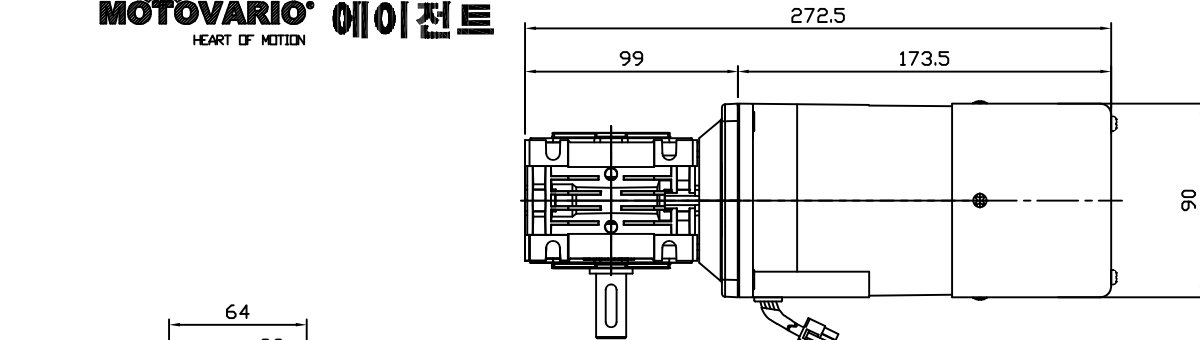
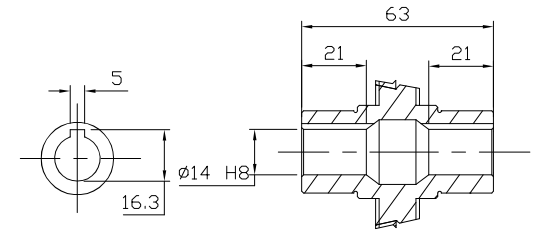
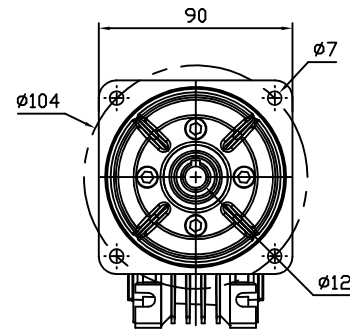


NO	DESCRIPTION	MATERIAL	SIZE, DWG. NO	Q'TY	WT. (KG)		REMARK
					UNIT	TOTAL	

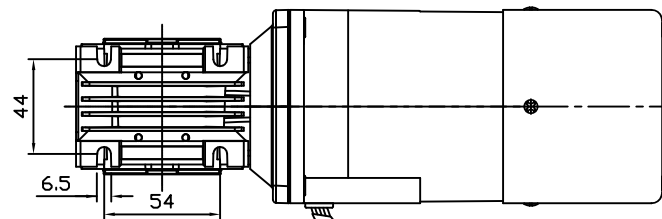


LEAD WIRE ASS'Y 300mm
MOTOR UL STYLE NQ3271 AWG NQ20
T.G UL STYLE NQ1430 AWG NQ24

LEAD WIRE ASS'Y 300mm
MOTOR UL STYLE NQ3271 AWG NQ20
T.G UL STYLE NQ1430 AWG NQ24



OUTPUT HOLLOW SHAFT



LEAD WIRE ASS'Y 300mm
MOTOR UL STYLE NQ3271 AWG NQ20
T.G UL STYLE NQ1430 AWG NQ24

(주)한국체인모터
Tel. 032-810-0702 Fax. 815-8123

CUSTOMER APPROVE		AMEND		PROJECT		MOTOVARIO					
MECHANICAL	ELECTRICAL	△		MODEL		NMRV030_90각 120W DKM SPEED					
		△		MODEL NUMBER		NMRV 030 90각/한축 + 9SDK□-120F2 (5~80:1)					
		△		DRAWN	LEE M.P	DATE		REV	A	SCALE	NONE
		△		CHECKED	KIM J.S	DATE		UNIT	MM	PAGE	-
		NO	CONTENT	DATE	APPROVED	LEE J.Y	DATE				

