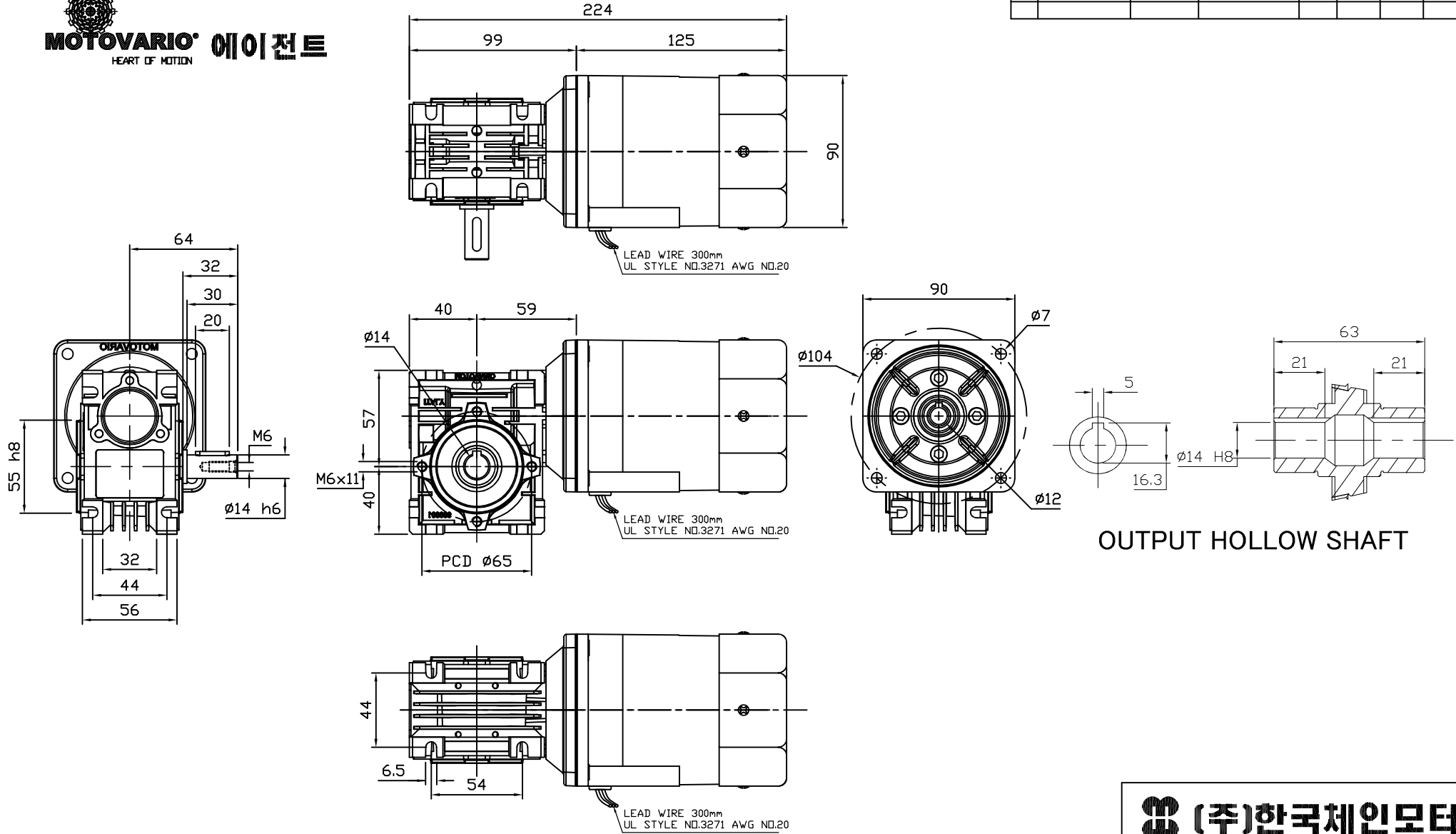


NO	DESCRIPTION	MATERIAL	SIZE, DWG. NO	Q'TY	WT. (KG)		REMARK
					UNIT	TOTAL	



(주)한국체인모터
Tel. 032-810-0702 Fax. 815-8123

CUSTOMER APPROVE		AMEND		PROJECT		MOTOVARIO	
MECHANICAL	ELECTRICAL	△		MODEL		NMRV030_90각 60W DKM 리버시블	
		△		MODEL NUMBER		NMRV 030 90각/한축 + 9RDK□-60F (5~80:1)	
		△		DRAWN	LEE M.P	DATE	REV A SCALE NONE
		△		CHECKED	KIM J.S	DATE	UNIT MM PAGE -
		NO	CONTENT	DATE	APPROVED	LEE J.Y	DATE

