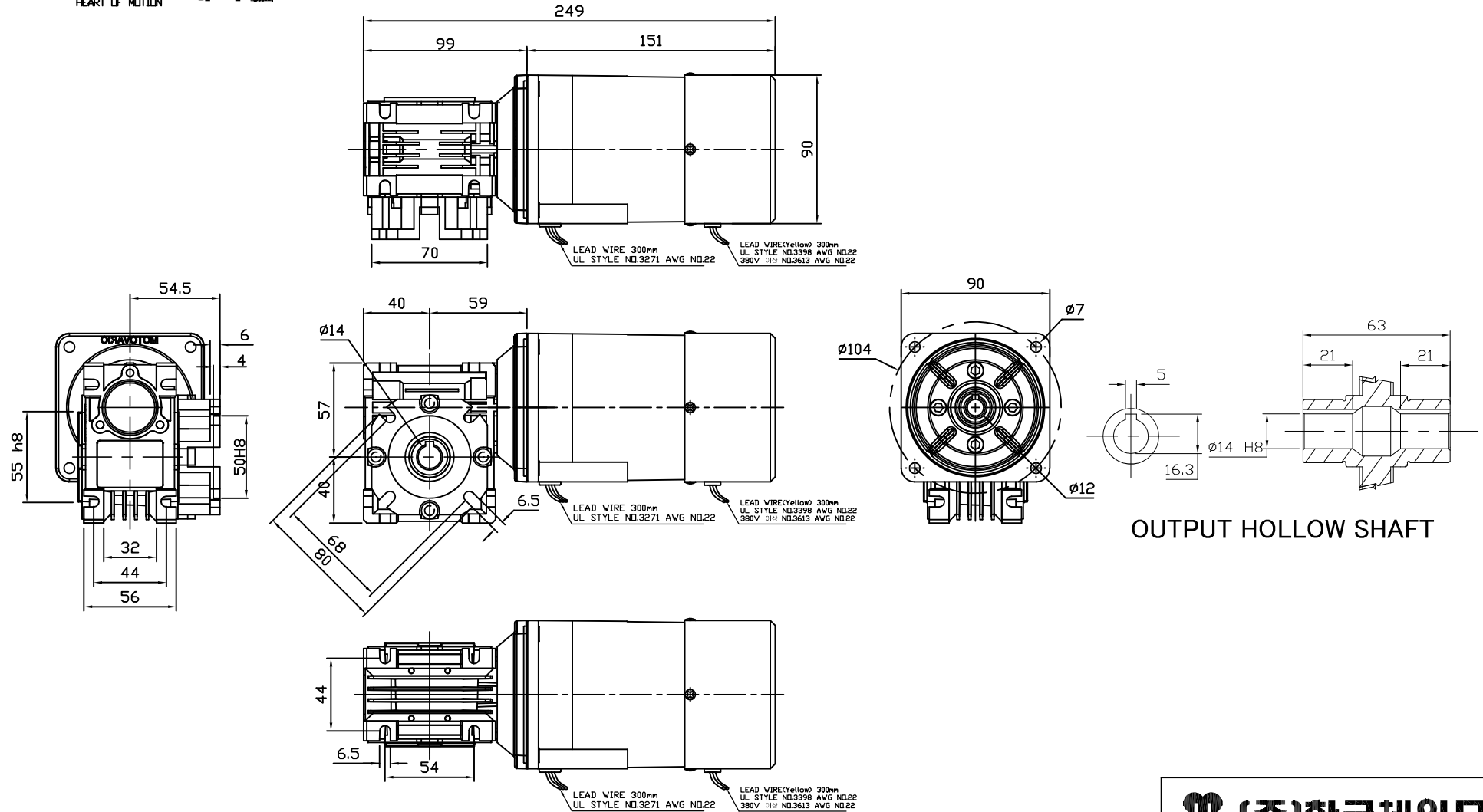


NO	DESCRIPTION	MATERIAL	SIZE, DWG. NO	Q'TY	W.T. (KG)		REMARK
					UNIT	TOTAL	



OUTPUT HOLLOW SHAFT

(주)한국체인모터
Tel. 032-810-0702 Fax. 815-8123

CUSTOMER APPROVE		AMEND		PROJECT		MOTOVARIO					
MECHANICAL	ELECTRICAL	△		MODEL		NMRV030_90각 40W DKM 브레이크					
		△		MODEL NUMBER		NMRV 030 90각/FA플랜지 + 9BDK□-40 (5~80:1)					
		△		DRAWN	LEE M.P	DATE		REV	A	SCALE	NONE
		△		CHECKED	KIM J.S	DATE		UNIT	MM	PAGE	-
		NO	CONTENT	DATE	APPROVED	LEE J.Y	DATE				