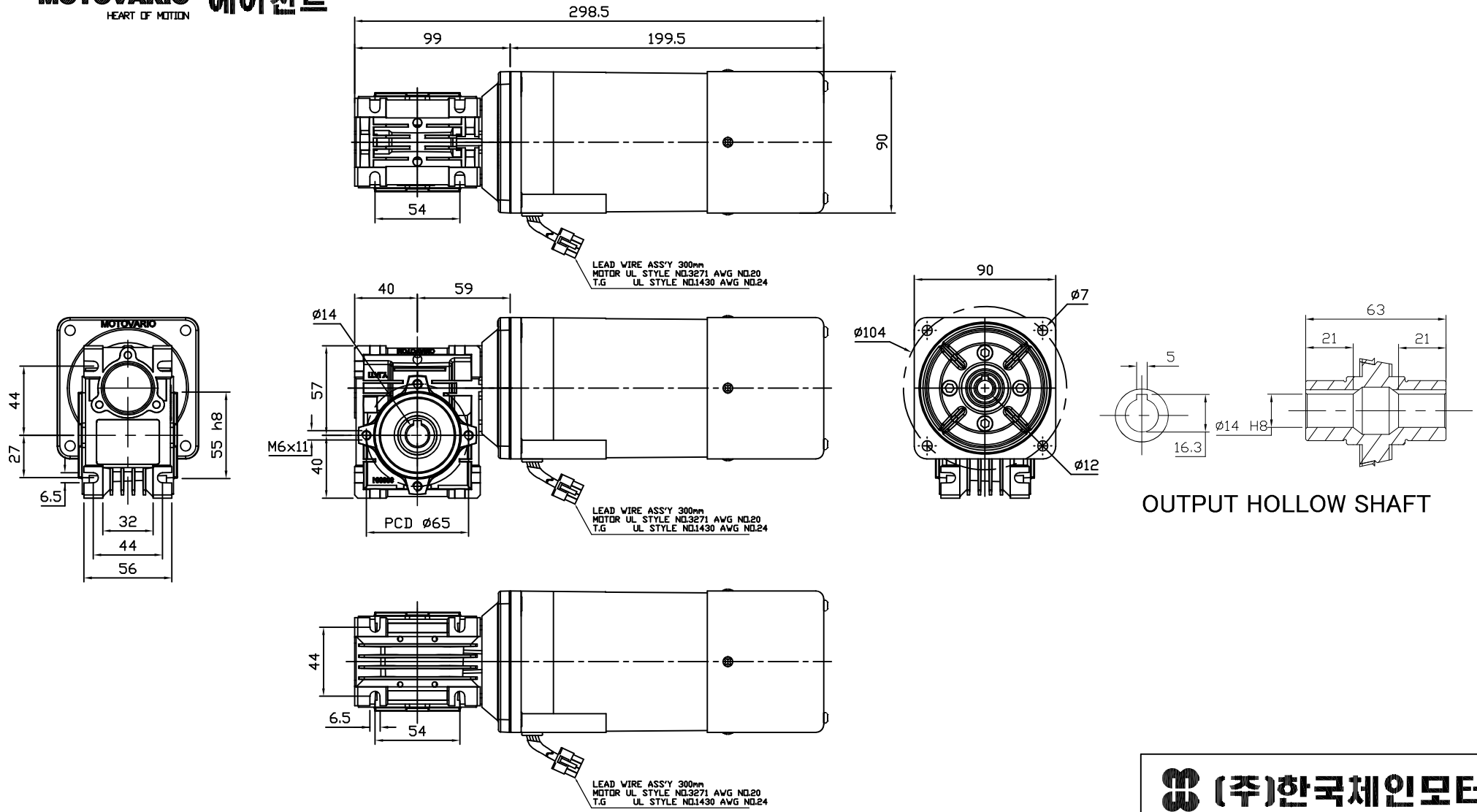


NO	DESCRIPTION	MATERIAL	SIZE	DWG. NO	Q'TY	WT. (KG)		REMARK
						UNIT	TOTAL	



(주)한국체인모터
Tel. 032-810-0702 Fax. 815-8123

CUSTOMER APPROVE		AMEND		PROJECT		MOTOVARIO				
MECHANICAL	ELECTRICAL	△		MODEL		NMRV030_90 180W DKM SPEED				
		△		MODEL NUMBER		NMRV 030 90 180W + 9SDK□-180F2 (5~80:1)				
		△		DRAWN	LEE M.P	DATE	REV	A	SCALE	NONE
		△		CHECKED	KIM J.S	DATE	UNIT	MM	PAGE	-
NO	CONTENT	DATE	APPROVED	LEE J.Y	DATE					

