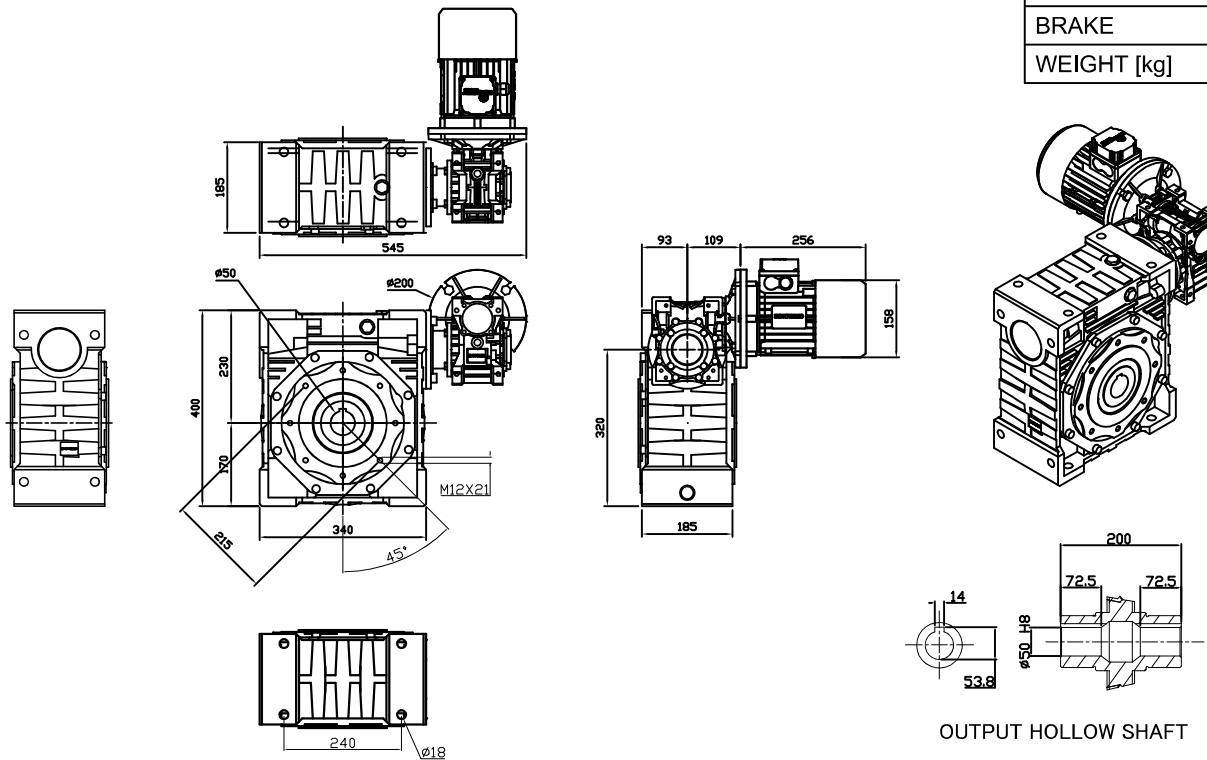




REDUCER SPEC	
MODEL	NMRV-P063/150
SERVICE FACTOR	3.5
RATIO	200
OUTPUT [rpm]	8.8
OUTPUT TORQUE [Nm]	551
WEIGHT [kg]	90.2

MOTOR SPEC	
MODEL	TPA/80B5 220/380V
POWER [kW]	0.75
POLE, PHASE	4P, 3PHASE
INPUT [rpm]	1750
BRAKE	NO
WEIGHT [kg]	13.2



OUTPUT HOLLOW SHAFT

**한국 (주)한국체인모터**

Tel. 032-815-8888 Fax. 815-8020  
www.hcmfa.com

PROJECT		MOTOVARIO						
DRAWN	SEO Y.S	DATE		REV	A	SCALE	1:1	
CHECKED	KIM J.S	DATE		UNIT	MM	PAGE	-	
APPROVED	LEE J.Y	DATE						