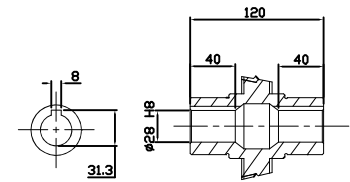
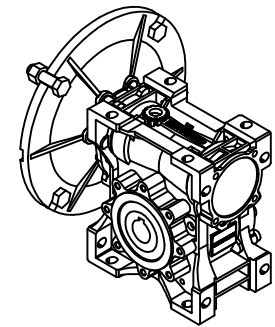
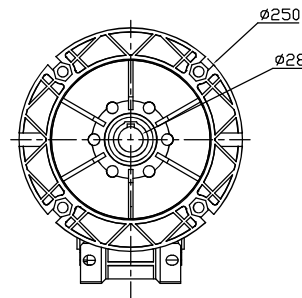
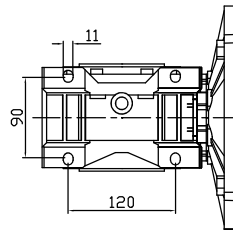
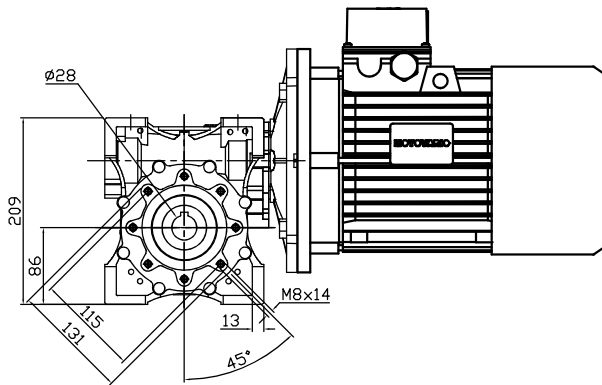
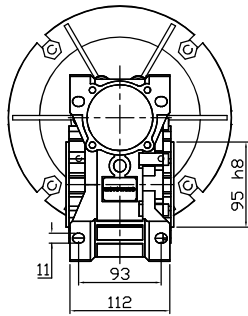
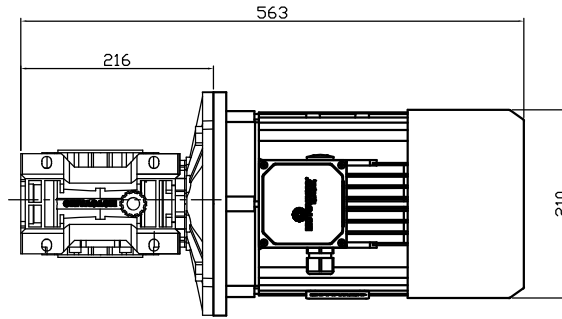


REDUCER SPEC	
MODEL	NMRV-P 075
SERVICE FACTOR	1.3
RATIO	7.5
OUTPUT [rpm]	233
OUTPUT TORQUE [Nm]	137
WEIGHT [kg]	8.8

MOTOR SPEC	
MODEL	TPA/112M4-220/380V
POWER [kW]	4
POLE, PHASE	4P, 3PHASE
INPUT [rpm]	1750
BRAKE	NO
WEIGHT [kg]	35



OUTPUT HOLLOW SHAFT

(주)한국체인모터

Tel. 032-815-8888 Fax. 815-8020
www.hcmfa.com

PROJECT		MOTOVARIO					
DRAWN	SEO Y.S	DATE		REV	A	SCALE	1:1
CHECKED	KIM J.S	DATE		UNIT	MM	PAGE	-
APPROVED	LEE J.Y	DATE		