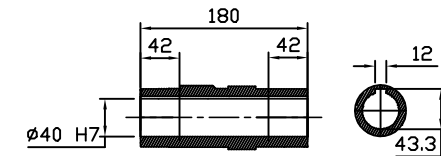
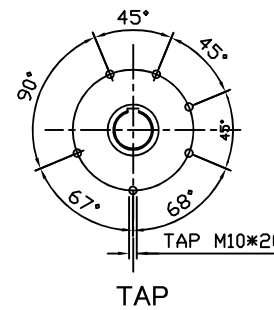
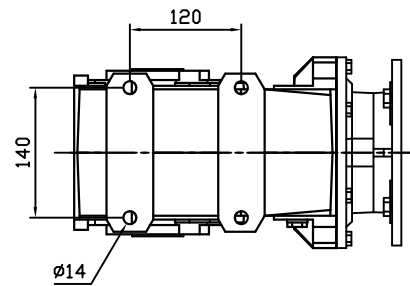
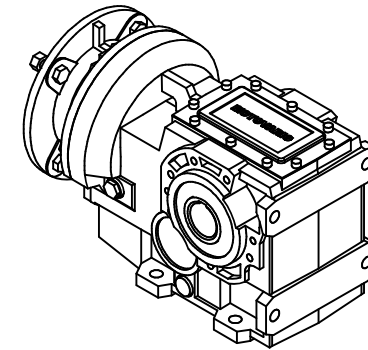
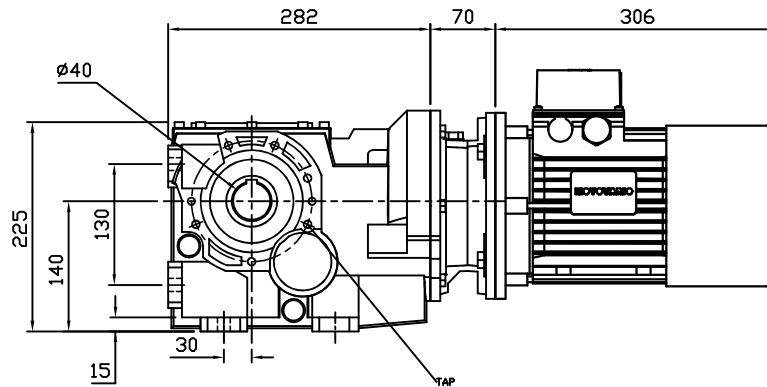
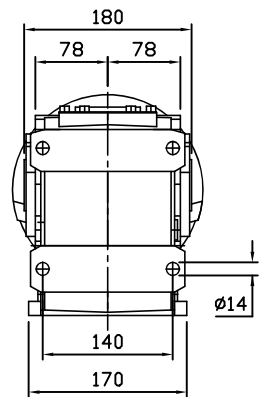


REDUCER SPEC	
MODEL	B083
SERVICE FACTOR	
RATIO	7.81~144.77
OUTPUT [rpm]	
OUTPUT TORQUE [Nm]	
WEIGHT [kg]	29.3

MOTOR SPEC	
MODEL	TPA/90B5 220/380V
POWER [kW]	1.5
POLE, PHASE	4P, 3PHASE
INPUT [rpm]	1750
BRAKE	NO
WEIGHT [kg]	19.7



OUTPUT HOLLOW SHAFT

PROJECT			MOTOVARIO			
DRAWN	SEO Y.S	DATE	REV	A	SCALE	1:1
CHECKED	KIM J.S	DATE	UNIT	MM	PAGE	-
APPROVED	LEE J.Y	DATE	