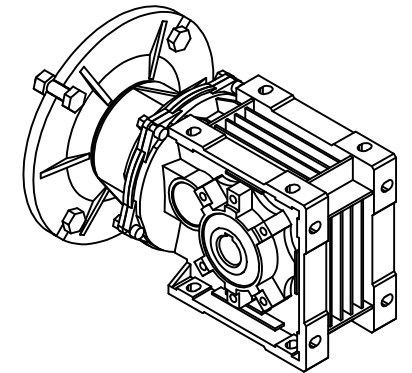
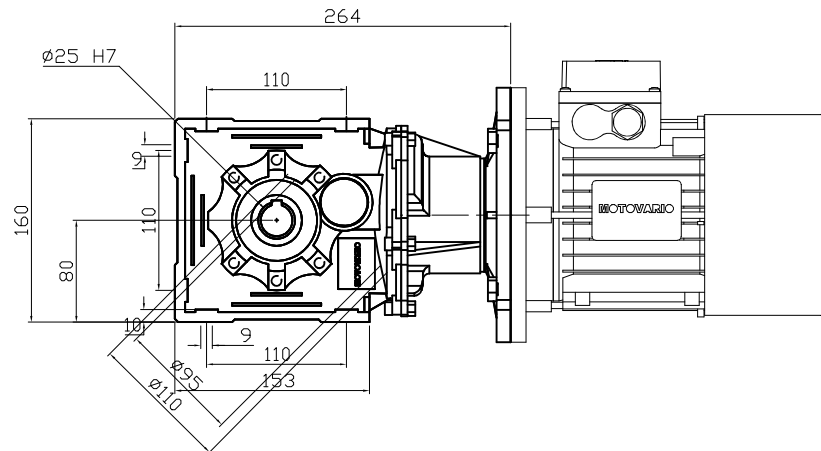
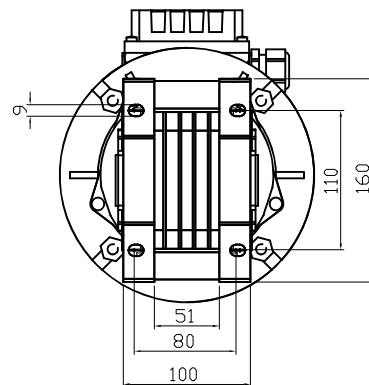
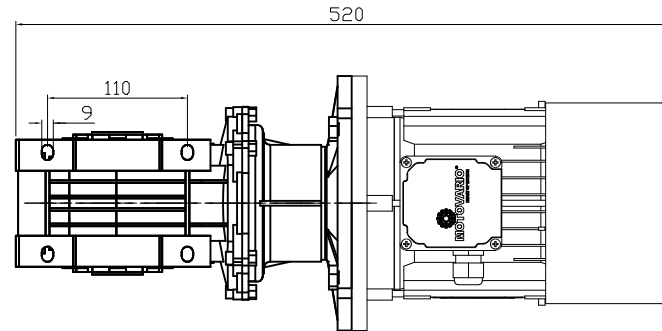


REDUCER SPEC	
MODEL	BA52
SERVICE FACTOR	1.5
RATIO	31.63
OUTPUT [rpm]	55.3
OUTPUT TORQUE [Nm]	123
WEIGHT [kg]	5.8

MOTOR SPEC	
MODEL	TPA/80B5 220/380V
POWER [kW]	0.75
POLE, PHASE	4P, 3PHASE
INPUT [rpm]	1750
BRAKE	NO
WEIGHT [kg]	13.2



(주)한국체인모터

Tel. 032-815-8888 Fax.
815-8020
www.hcmf.com

PROJECT		MOTOVARIO						
DRAWN	SEO Y.S	DATE		REV	A	SCALE	1:1	
CHECKED	KIM J.S	DATE		UNIT	MM	PAGE	-	
APPROVED	LEE J.Y	DATE		