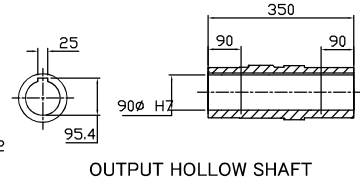
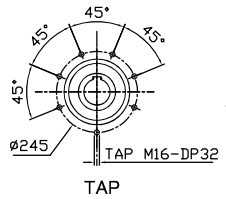
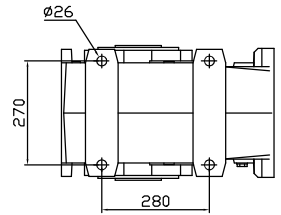
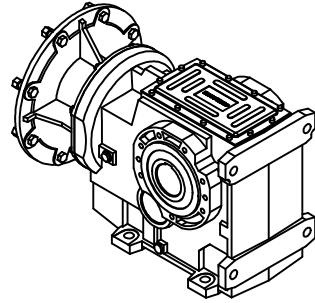
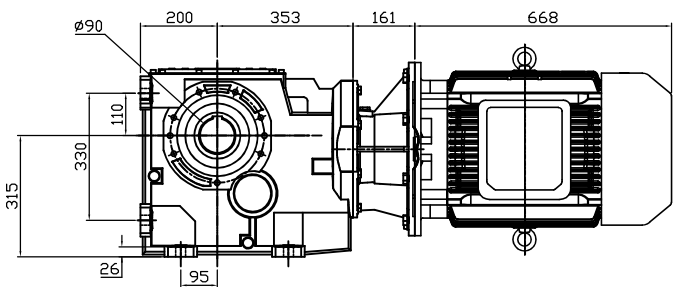
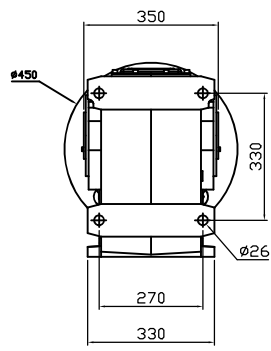


REDUCER SPEC	
MODEL	B153UC
INPUT DIMENSION	IEC 225B5
RATIO	10.49 - 35.02
OUTPUT [rpm]	
OUTPUT TORQUE [Nm]	
WEIGHT [kg]	223

MOTOR SPEC	
MODEL	TE-F 호성 IE3
POWER [kW]	45
POLE, PHASE	4P, 3PHASE
INPUT [rpm]	1750
BRAKE	NO
WEIGHT [kg]	325



**(주)한국제인모터**  
 Tel. 032-815-8888 Fax. 815-8020  
 www.hcmfa.com

PROJECT		MOTOVARIO					
DRAWN	SEO Y.S	DATE		REV	A	SCALE	1:1
CHECKED	KIM J.S	DATE		UNIT	MM	PAGE	-
APPROVED	LEE J.Y	DATE					