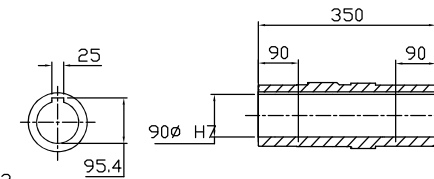
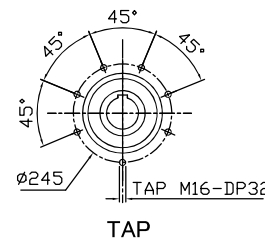
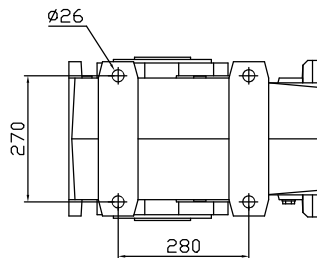
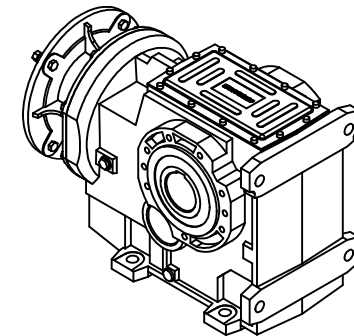
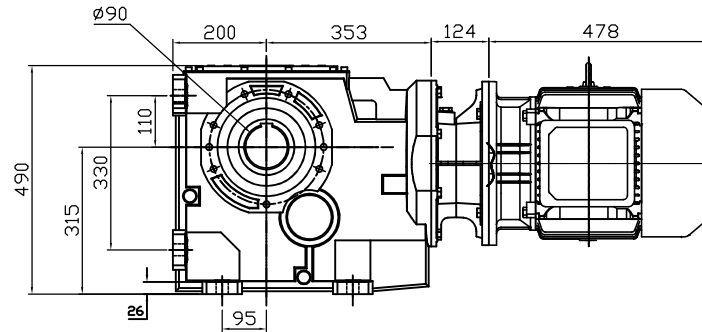
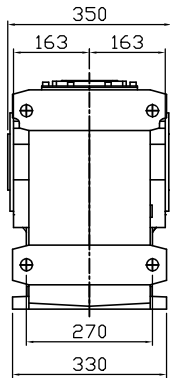


REDUCER SPEC	
MODEL	B153
SERVICE FACTOR	1.7
RATIO	83.89
OUTPUT [rpm]	20.9
OUTPUT TORQUE [Nm]	4533
WEIGHT [kg]	206.5

MOTOR SPEC	
MODEL	TE-F 효성 IE3
POWER [kW]	11
POLE, PHASE	4P, 3PHASE
INPUT [rpm]	1750
BRAKE	NO
WEIGHT [kg]	165



OUTPUT HOLLOW SHAFT

**(주)한국제인모터**

Tel. 032-815-8888 Fax. 815-8020  
www.hcmfa.com

PROJECT		MOTOVARIO					
DRAWN	SED Y.S	DATE		REV	A	SCALE	1:1
CHECKED	KIM J.S	DATE		UNIT	MM	PAGE	-
APPROVED	LEE J.Y	DATE					