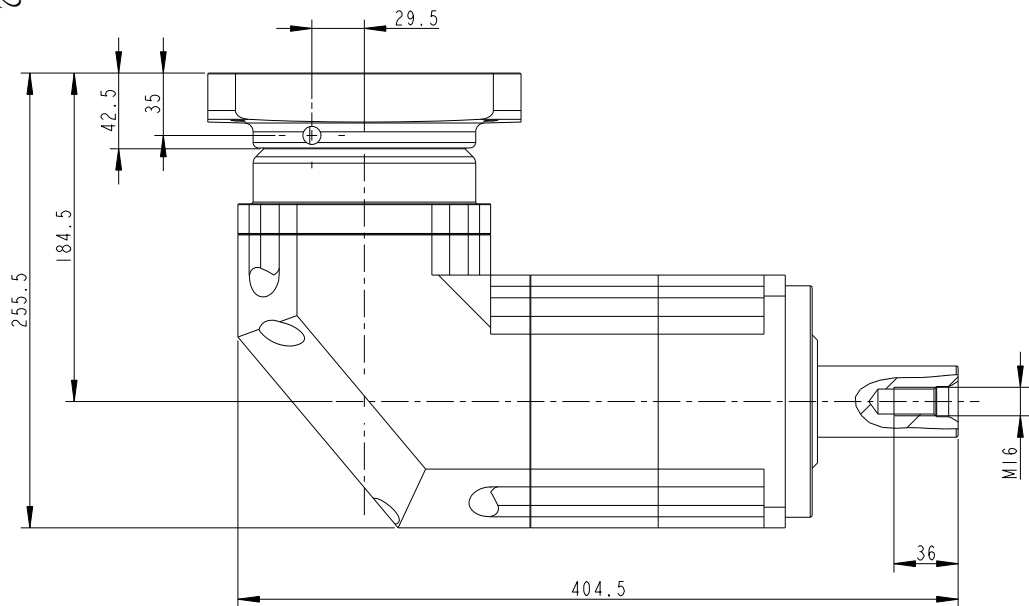
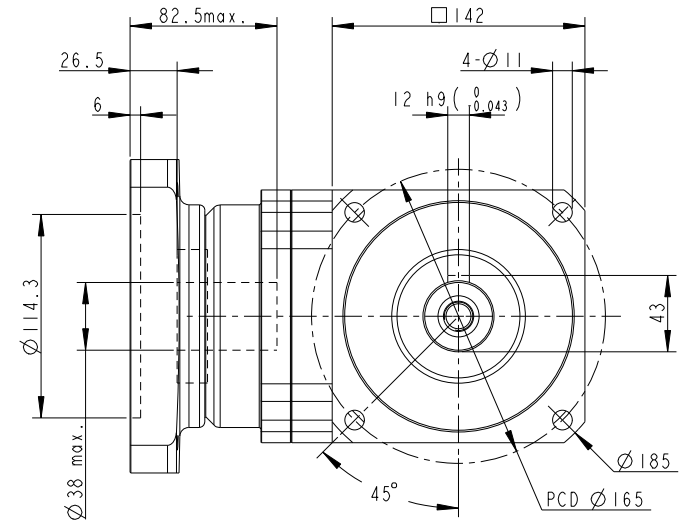
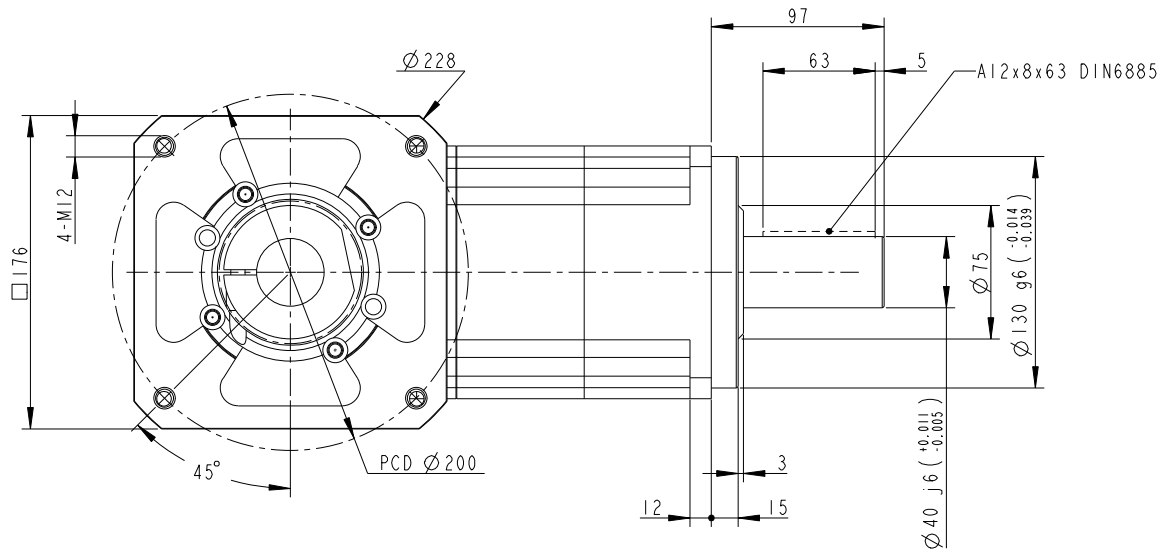




ABR142A - 025 - S2 - P2 / MITSUBISHI HG-SR202



INERTIA: 7.03~9.21kg-cm<sup>2</sup>  
 MASS: 14.5kg

SHAFT OPTION S1: SMOOTH OUTPUT SHAFT(STANDARD)  
 SHAFT OPTION S2: OUTPUT SHAFT WITH KEYWAY  
 MICRO BACKLASH<= 4 arcmin  
 REDUCED BACKLASH<= 7 arcmin  
 STANDARD BACKLASH<= 9 arcmin

BUSHING SUPPLIED WHEN MOTOR SHAFT DIAMETER SMALL THAN Ø38

PART NO. ABR142A2-P0403500801 ABR142A-2, AD-P140-M176-1		 <b>APEX DYNAMICS, INC.</b>	
APPROVALS	DATE	TITLE ABR142A 2 STAGES, RATIO= 15-100 AND MOTOR FLANGE MOUNTING	
DRAWN Cindy		DWG NO. ABR142A2-P0403500801	
CHECKED		 SIZE A0	SCALE 1:1
APPROVED			REV 3.0