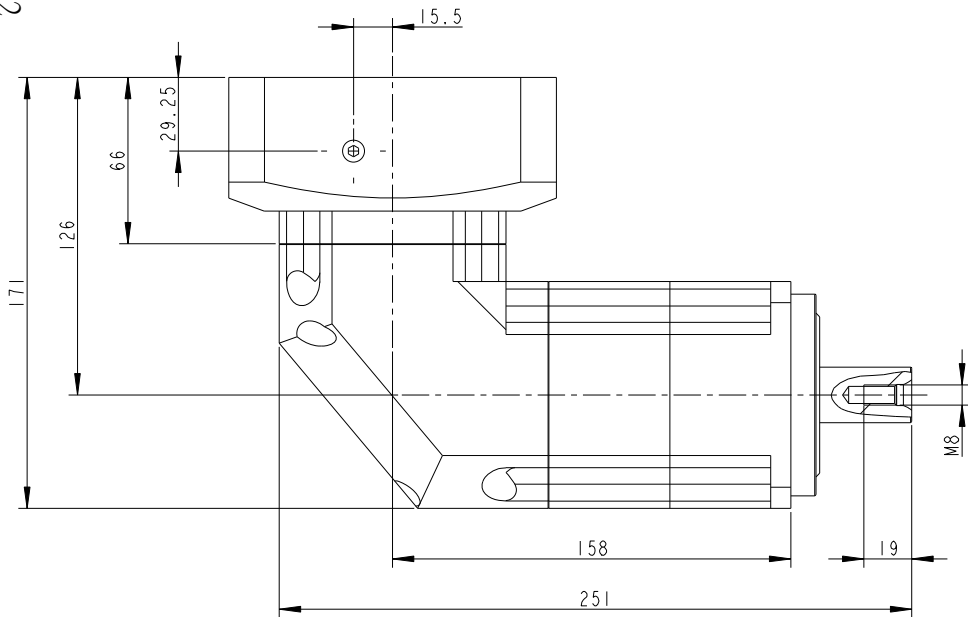
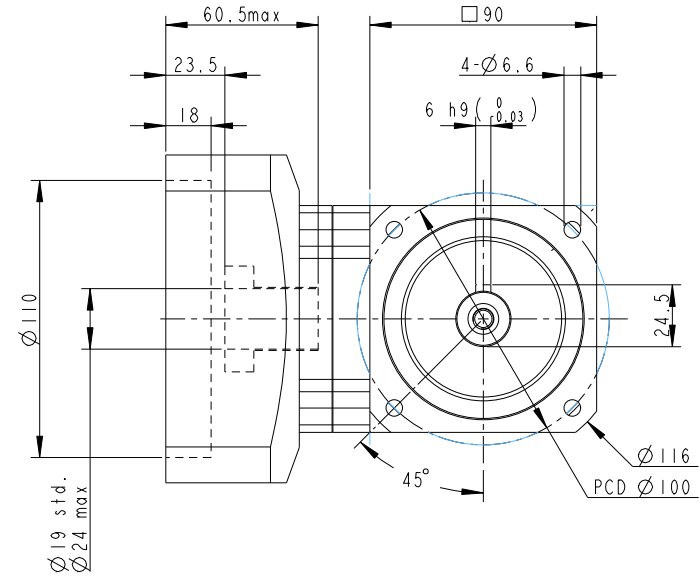
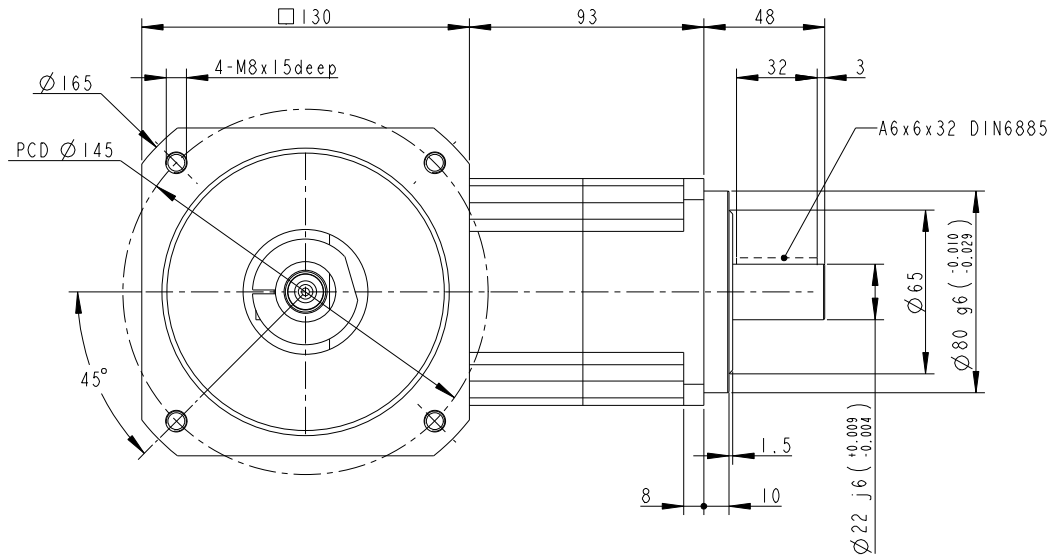



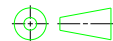
ABR090AM1 - 025 - S2 - P2 / MITSUBISHI HG-SR52



INERTIA: 1.87~2.25 kg-cm²
 MASS: 7.9 Kg

SHAFT OPTION S1: SMOOTH OUTPUT SHAFT(STANDARD)
 SHAFT OPTION S2: OUTPUT SHAFT WITH KEYWAY
 MICRO BACKLASH <= 4 arcmin
 REDUCED BACKLASH <= 7 arcmin
 STANDARD BACKLASH <= 9 arcmin

***BUSHING SUPPLIED WHEN MOTOR SHAFT DIAMETER SMALL THAN Ø24

PART NO. ABR090A2-P0401301004 ABR090A-2, AD-W90-MI30-4		 APEX DYNAMICS, INC.	
APPROVALS	DATE	TITLE ABR090A 2 STAGES, RATIO= 25~200 AND MOTOR FLANGE MOUNTING	
DRAWN Cindy		DWG NO. ABR090A2-P0401301004	
CHECKED		 SIZE A1	SCALE 1:1
APPROVED			REV 2.0