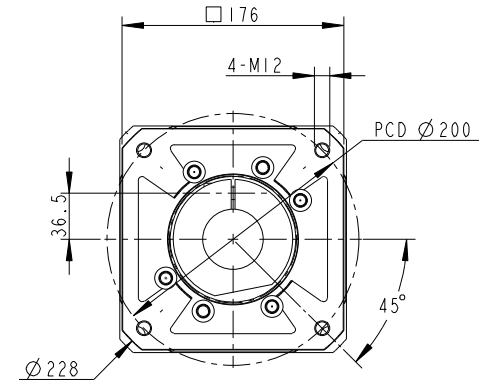
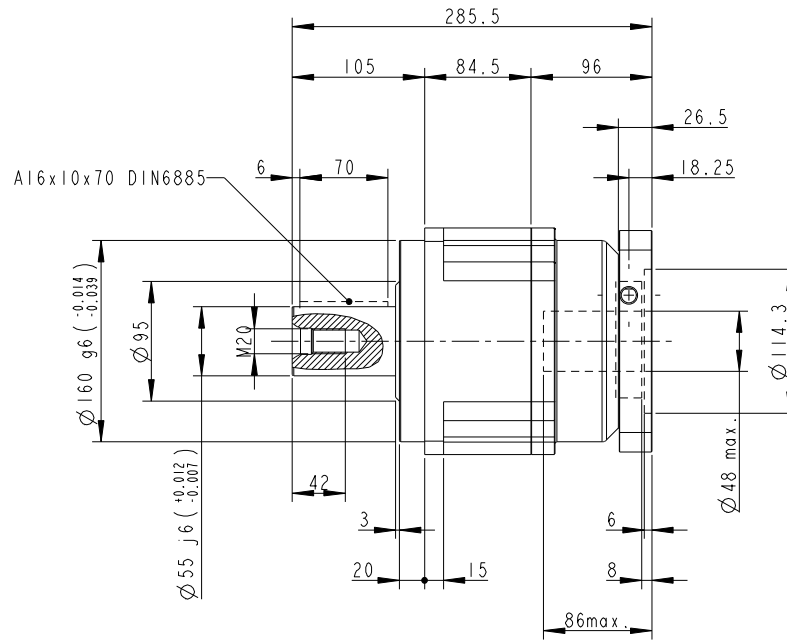
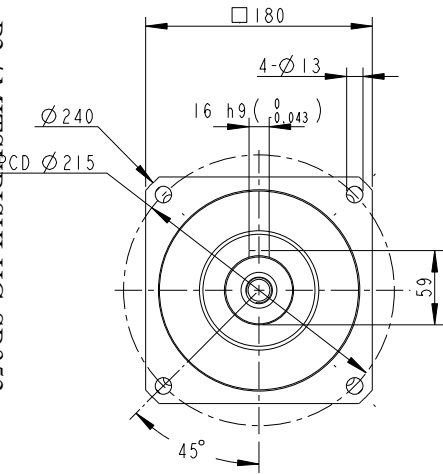


AB180 - 003 - S2 - P2 / MITSUBISHI HG-SR352





INERTIA: 22.48~28.98kg-cm²
 MASS: 29kg

SHAFT OPTION S1: SMOOTH OUTPUT SHAFT(STANDARD)
 SHAFT OPTION S2: OUTPUT SHAFT WITH KEYWAY
 MICRO BACKLASH<= 1 arcmin
 REDUCED BACKLASH<= 3 arcmin
 STANDARD BACKLASH<= 5 arcmin

BUSHING SUPPLIED WHEN MOTOR SHAFT DIAMETER SMALL THAN $\varnothing 48$

Old Part No. AB180I-P416090I

PART NO. AB180I-P040360040I AB180-I, AD-P200-M176-I		 APEX DYNAMICS, INC.		
APPROVALS	DATE	TITLE AB180 I STAGE, RATIO= 3-10 AND MOTOR FLANGE MOUNTING		
DRAWN 江淑慧		DWG NO. AB180I-P040360040I		
CHECKED			SIZE 2A0	SCALE 1:1
APPROVED				REV 2.0