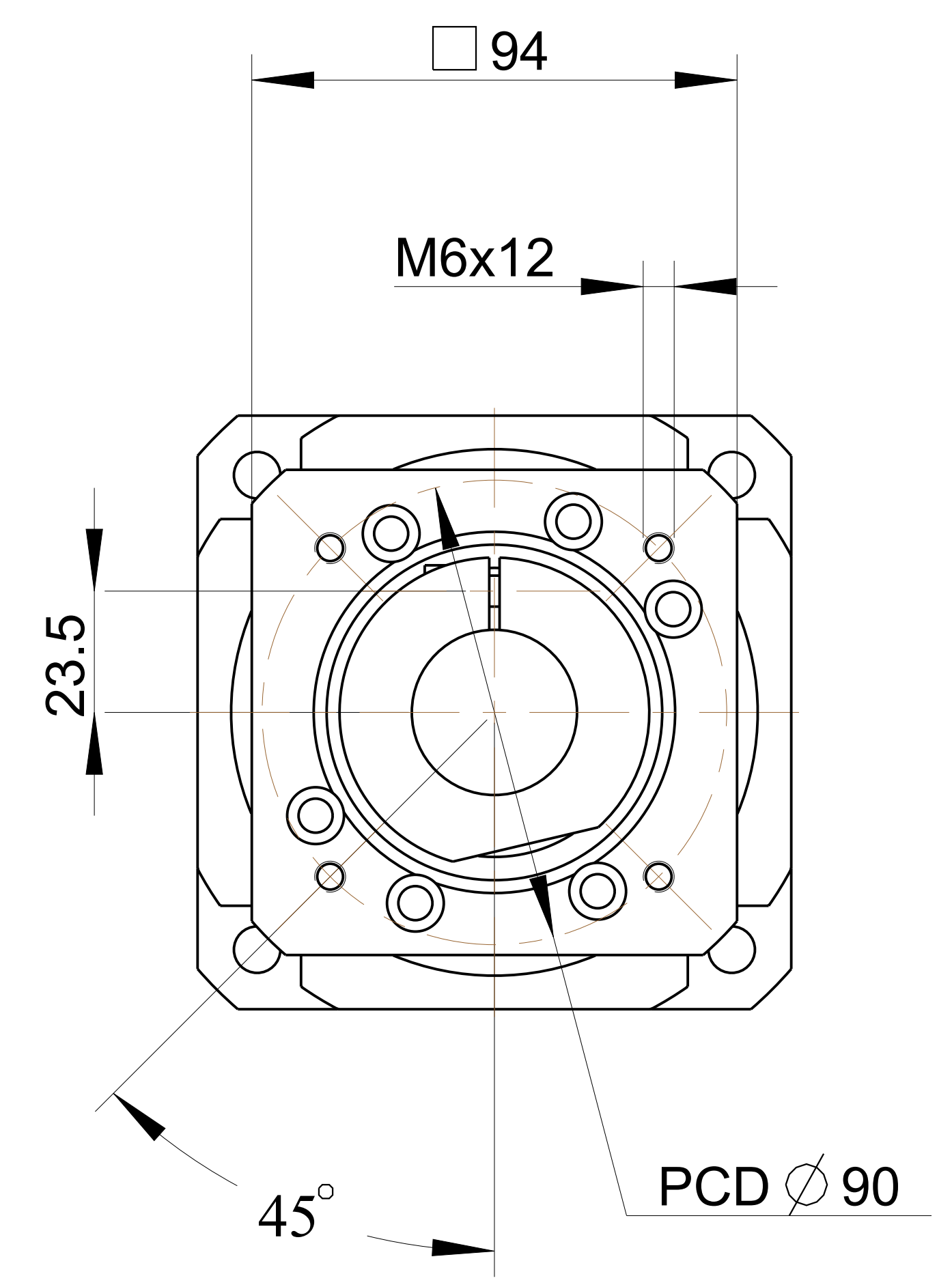
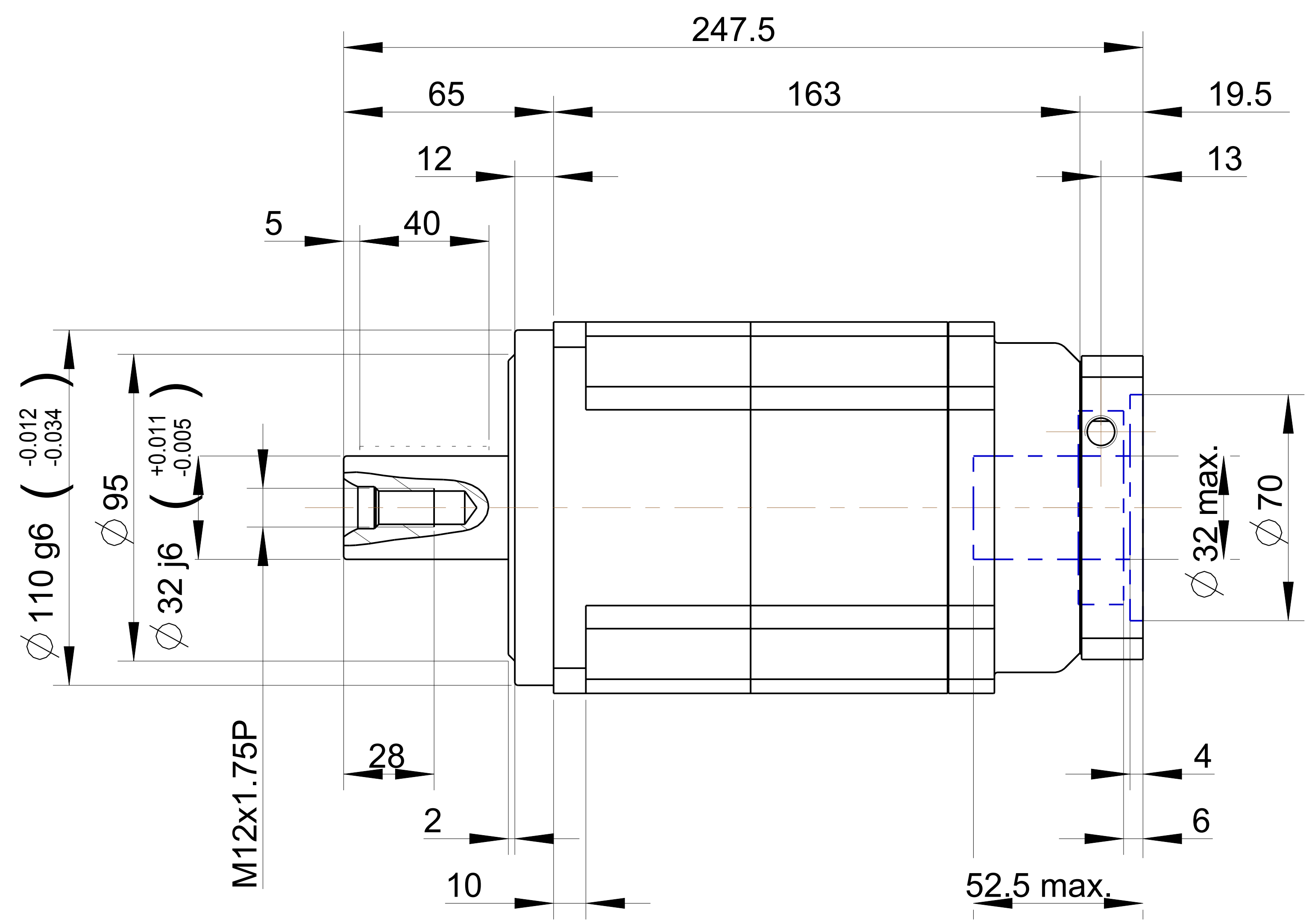
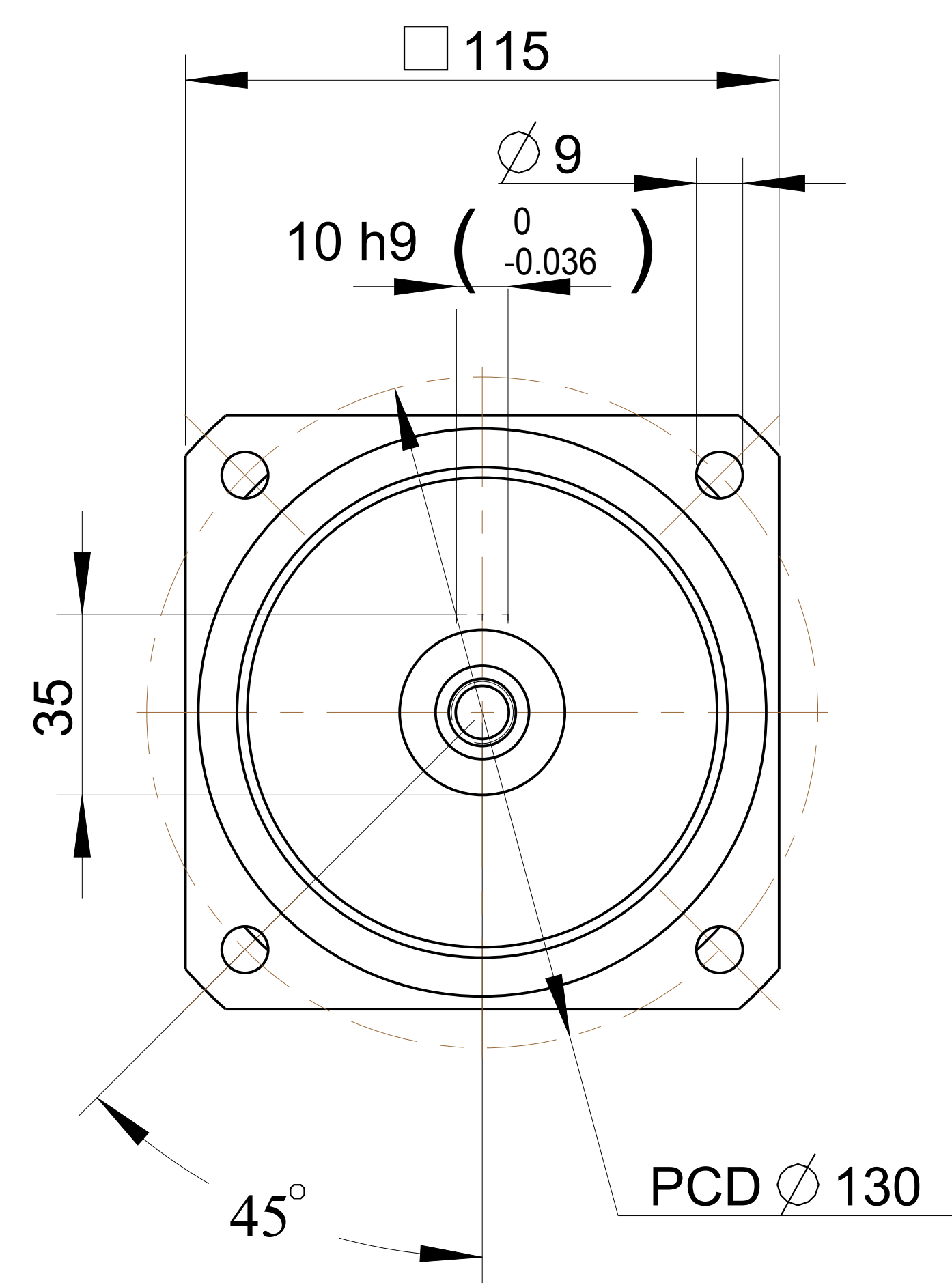

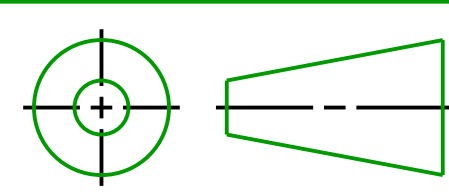


AB115A-002-02-02-12/AMT/SMS/H/CA/PA/3



PART NO. AB115A2-P0403402303 AD-P110-M94-3					
APPROVALS	DATE	TITLE AB115A 2 STAGES AND MOTOR FLANGE MOUNTING			
DRAWN		DWG NO. AB115A2-P0403402303			
CHECKED					
APPROVED			SIZE A0	SCALE 1:1	REV