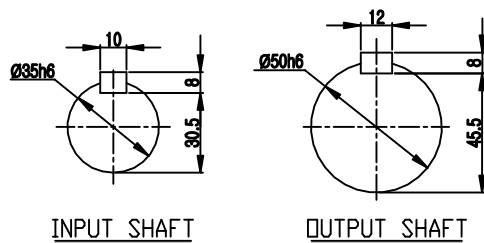
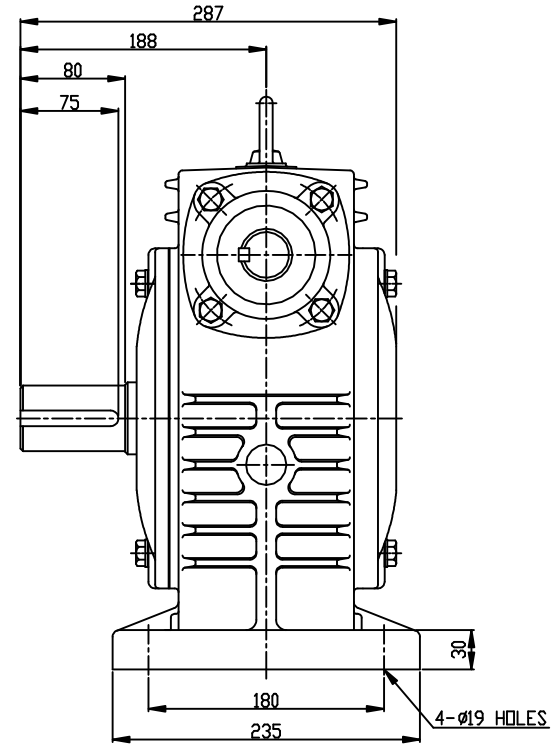
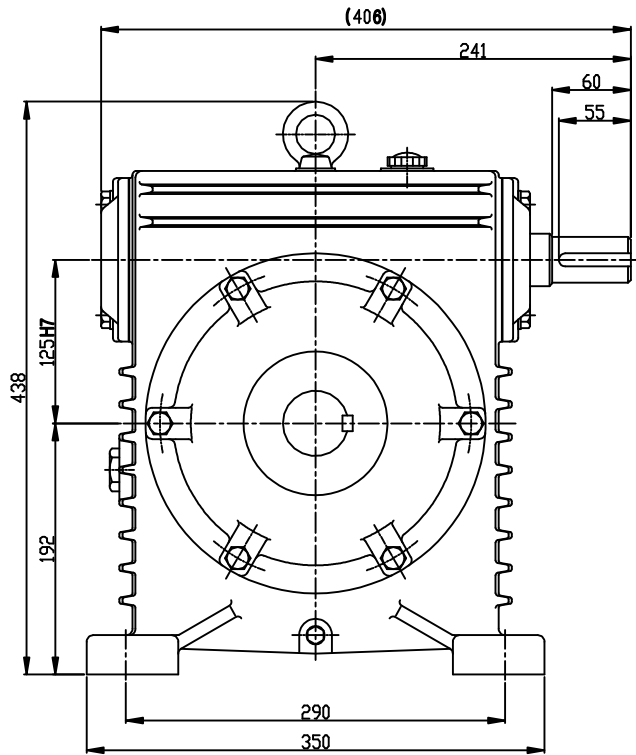


REV	ZONE	DESCRIPTIONS	DRAWN	APPRVD	DATE



INPUT SHAFT

OUTPUT SHAFT

M5*0.8
M6*1
M8*1.25
M10*1.5
M12*1.75
M16*2
M18*2.5
M20*2.5
M22*2.5
M24*3

표기	범위	공차
각도	±0.2°	6 - 30 : ±0.1
CHAMFER	C1.0	30 - 120 : ±0.15
FILLET	R1.0	120 - 315 : ±0.2
마무리	▽	315 - 1000 : ±0.3
		1000 이상 : ±0.5

NO	PART NUMBER	DESCRIPTIONS	QTY	MATERIAL

NAME	DATE	SCALE	TITLE	SHEET
			OUTLINE DWG.	1/1
CHECKED	김석원	08. 5. 3	STANDARD WORM REDUCER WU125 i=1/10~1/60 B-TYPE	1/1
APPROVED	박용규	08. 5. 7		
SAMYANG REDUCTION GEARS CO., LTD			DWG SIZE A1	DRG. NO. SYWU125
				REV

