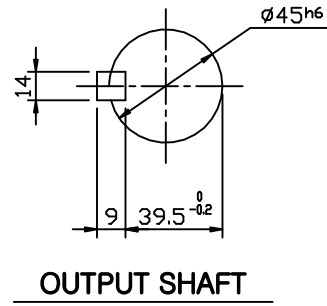
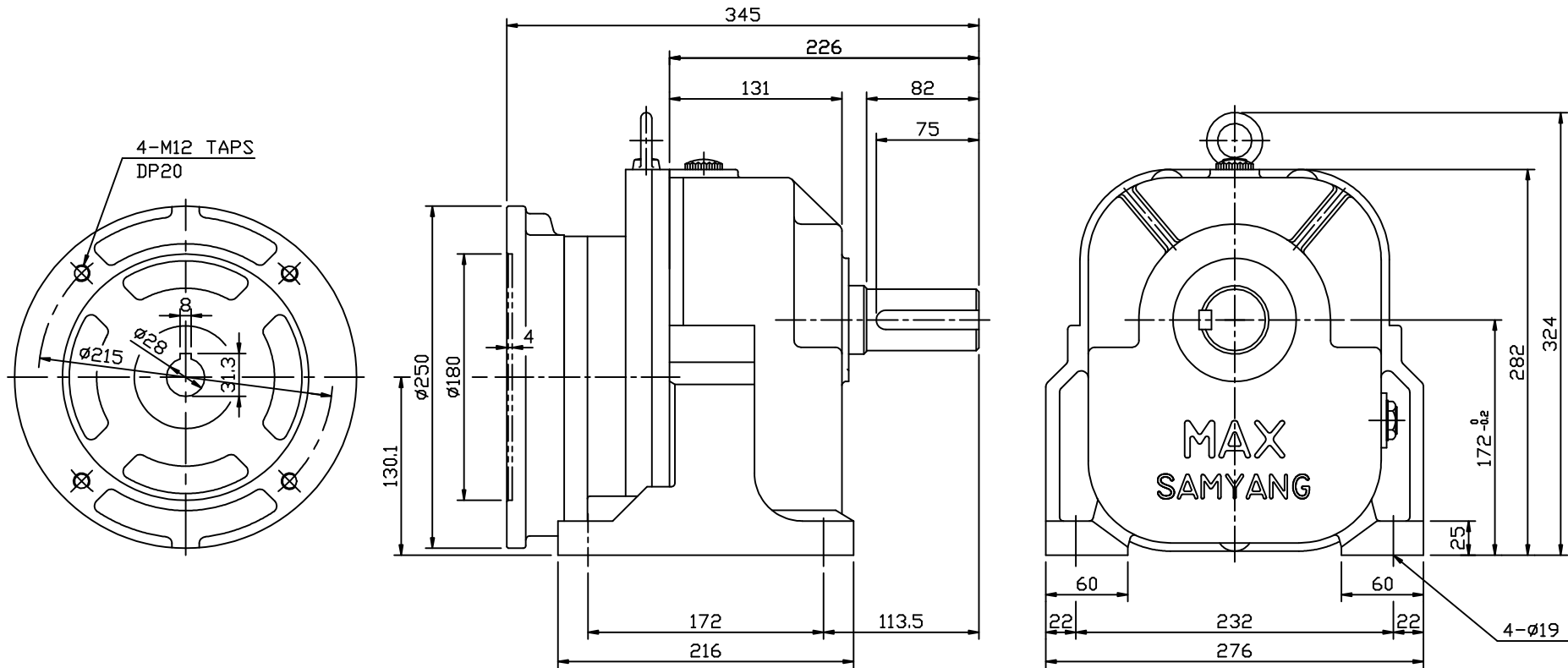


MATERIAL

Q'TY

By order



DATE	NAME	TITLE	SCALE
		MAX GEARED MOTOR F172	1 / 1
DESIGN		2.2Kw-4P-3 ϕ i=1/5~1/30	
CHECK		I.E.C FLANGE TYPE	
APPROV		PART	SHEET
		DWG. NO. F172-022-IEC	
NO.	REVISION	DATE	NAME
REDUCTION GEAR CO., LTD			